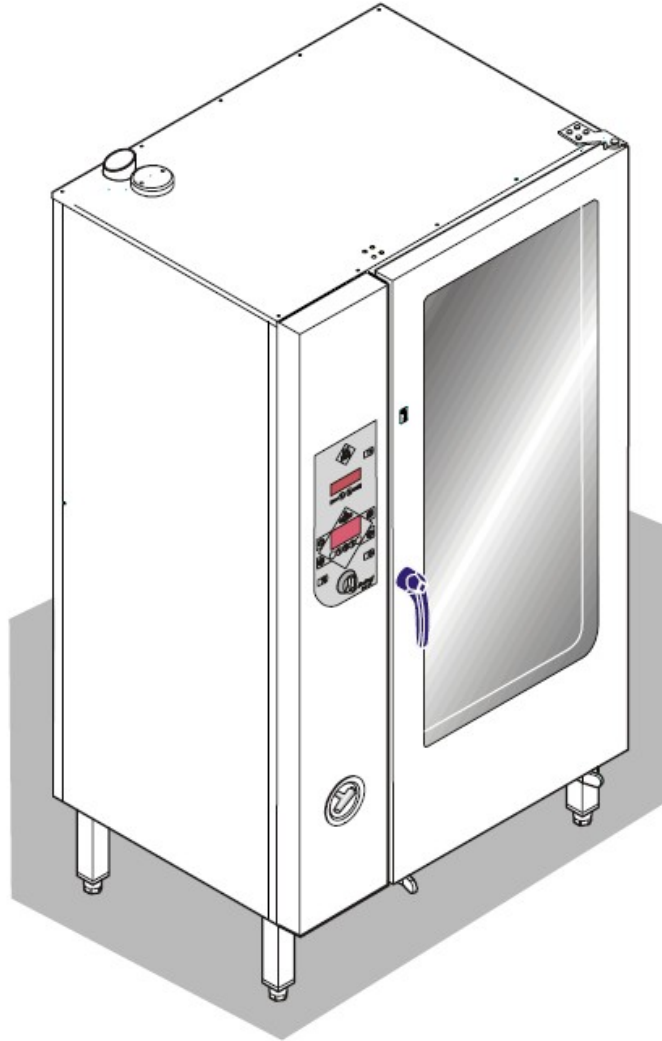


en

Exploded drawings

Electric and Gas Combisteamer Gold

European CE-Version



Model	Serial-No. / date	
	from	thru
Software:	Version 3.00	
HansDampf 6.1	07020584 / May 2007	-
HansDampf 6.2 Maxi	07020584 / May 2007	-
HansDampf 10.1	07020584 / May 2007	-
HansDampf 10.2 Maxi	07020584 / May 2007	-
HansDampf 20.1	07020584 / May 2007	-
HansDampf 20.2 Maxi	07020584 / May 2007	-

2011/10/12 SEV/KA

Contents

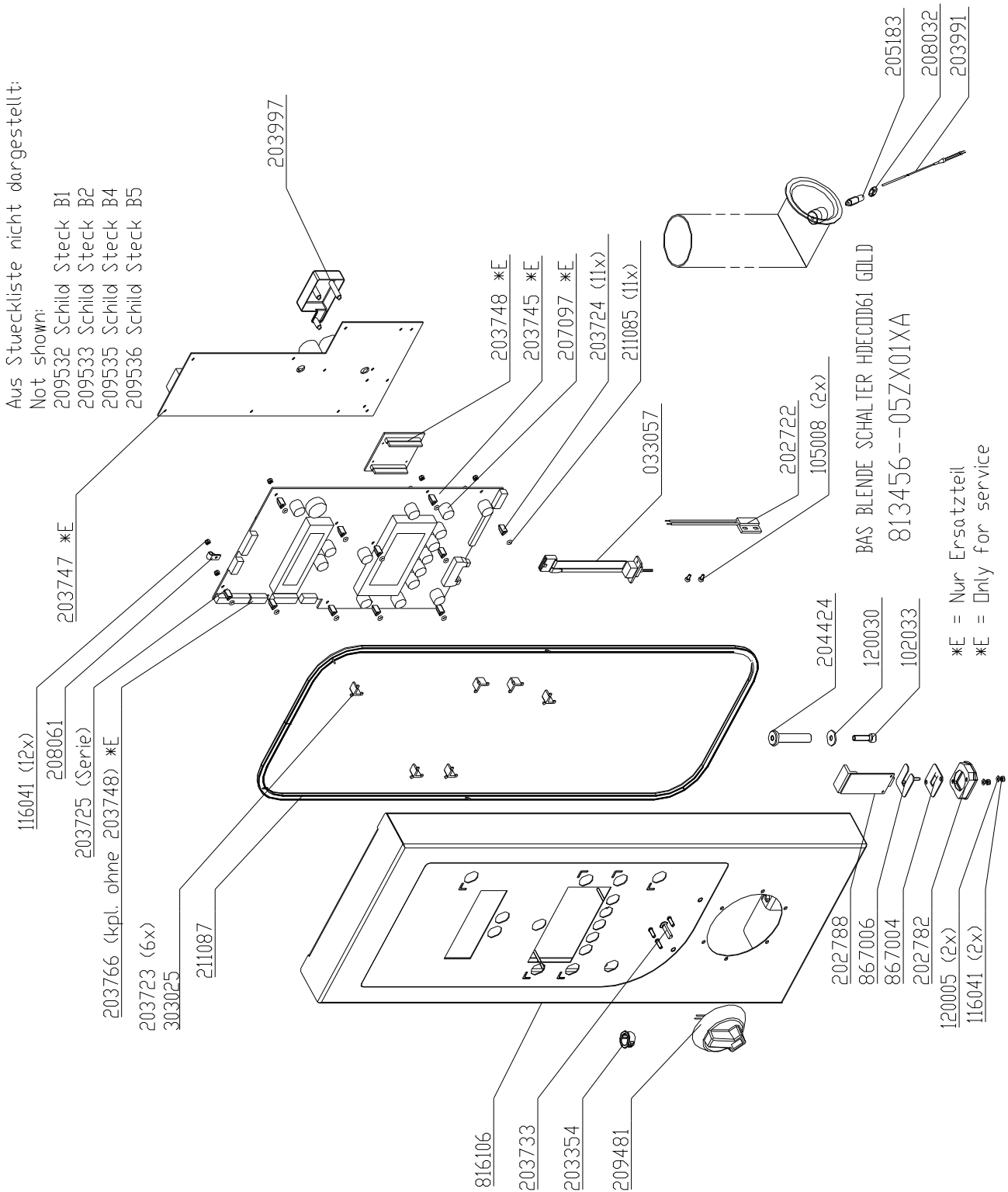
Front panel HD6.x Gold.....	6
Front panel HD10.x Gold.....	7
Electric assembly 3NPE 400V HD6.1.....	8
Electric assembly 3NPE 400V HD6.2.....	9
Electric assembly 3NPE 400V HD10.1.....	10
Electric assembly 3NPE 400V HD10.2.....	11
Gas assembly HD6.1.....	12
Gas assembly HD6.2.....	13
Gas assembly HD10.1.....	14
Gas assembly HD10.2.....	16
Core temperature probe HD6.x & HD10.x.....	18
Tube carrier box & handshower HD6.x & HD10.x Electric.....	19
Tube carrier box & handshower 6.x & 10.x Gas.....	20
Water assembly 50Hz HD6.x & HD10.x.....	21
Water assembly 60Hz HD6.x & HD10.x.....	22
Chassis HD6.x Electric Valid until S/N 11209574 (August 2011).....	23
Chassis HD6.x Electric Valid from S/N 11209575 (August 2011).....	24
Chassis HD10.x Electric Valid until S/N 11208882 (August 2011).....	25
Chassis HD10.x Electric Valid from S/N 11208883 (August 2011).....	26
Chassis HD6.x Gas Valid until S/N 11209861 (August 2011).....	27
Chassis HD6.x Gas Valid from S/N 11209862 (August 2011).....	28
Chassis HD10.x Gas Valid until S/N 11210676 (August 2011).....	29
Chassis HD10.x Gas Valid from S/N 11210677 (August 2011).....	30
Chassis door area HD6.x, right hand hinged (Electric).....	31
Chassis door area HD6.x, left hand hinged (Electric).....	32
Chassis door area HD10.x, right hand hinged (Electric).....	33
Chassis door area HD10.x, left hand hinged (Electric).....	34
Chassis door area HD6.x, right hand hinged (Gas).....	35
Chassis door area HD6.x, left hand hinged (Gas).....	36
Chassis door area HD10.x, right hand hinged (Gas).....	37
Chassis door area HD10.x, left hand hinged (Gas).....	38
Front panel HD20.x Gold.....	40
Electric assembly 3NPEAC 400V HD20.1.....	41
Electric assembly 3NPEAC 400V HD20.2.....	42
Gas assembly HD20.1.....	43
Gas assembly HD20.2.....	44
Core temperature probe HD20.x.....	45
Tube carrier box & handshower HD20.x (Electric).....	46
Tube carrier box & handshower HD20.x Gas.....	47
Water assembly 50Hz HD20.x.....	48
Water assembly 60Hz HD20.x.....	49
Chassis HD20.x (Electric) Valid until S/N 11212249 (October 2011).....	50
Chassis HD20.x (Electric) Valid from S/N 11212250 (October 2011).....	51
Chassis HD20.x (Gas) Valid until S/N 11212225 (October 2011).....	52
Chassis HD20.x (Gas) Valid from S/N 11212226 (October 2011).....	53
Chassis door area HD20.x, right hand hinged (Electric).....	54
Chassis door area HD20.x, left hand hinged (Electric).....	55
Chassis door area HD20.x, right hand hinged (Gas).....	56
Chassis door area HD20.x, left hand hinged (Gas).....	57

Exploded drawings 6.x & 10.x

Electric & Gas

Front panel HD6.x Gold

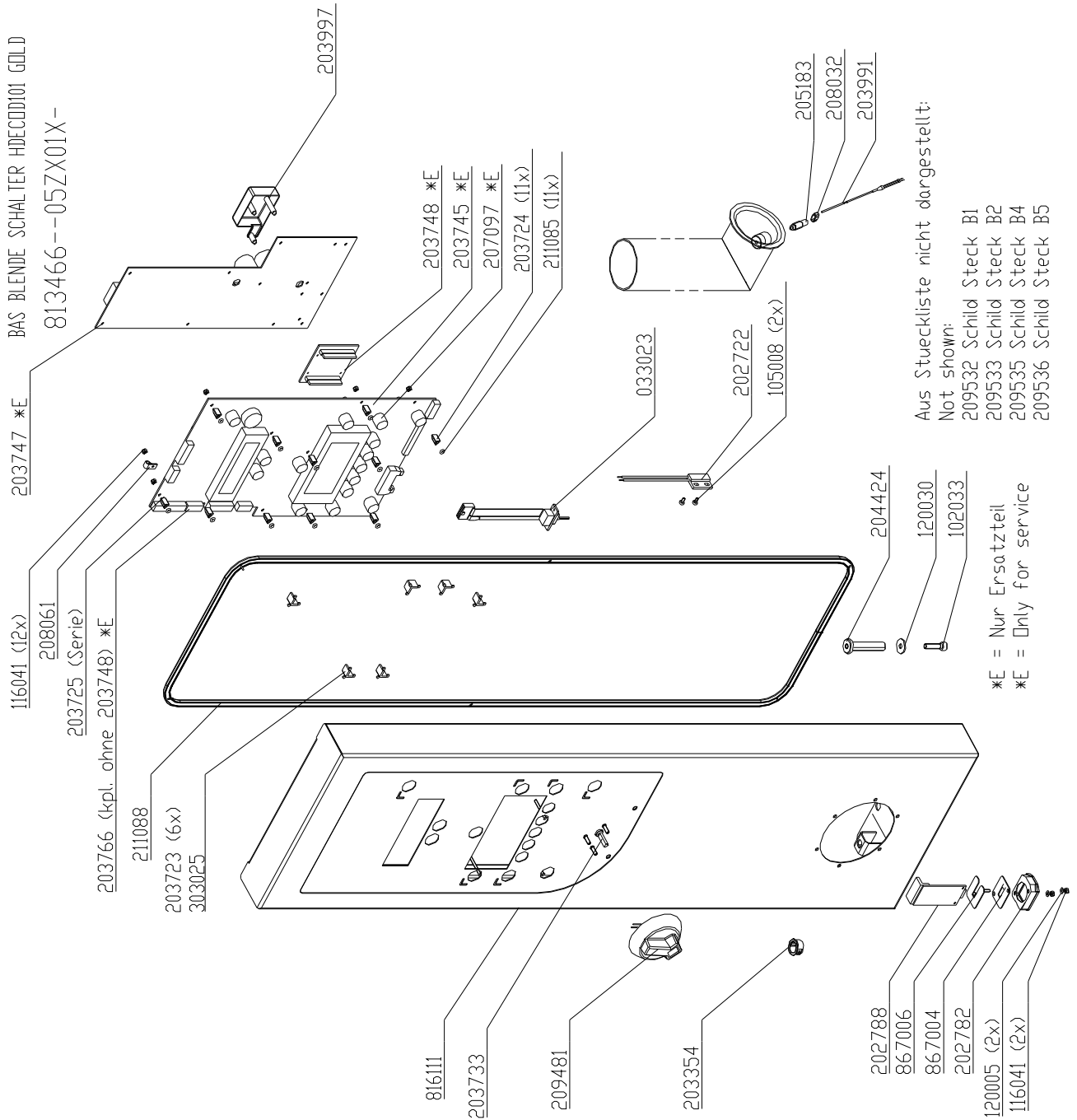
Valid from S/N 09021472 (Juli2009) with USB port



Until S/N 09021471 with serial port #033023 instead of USB port

Front panel HD10.x Gold

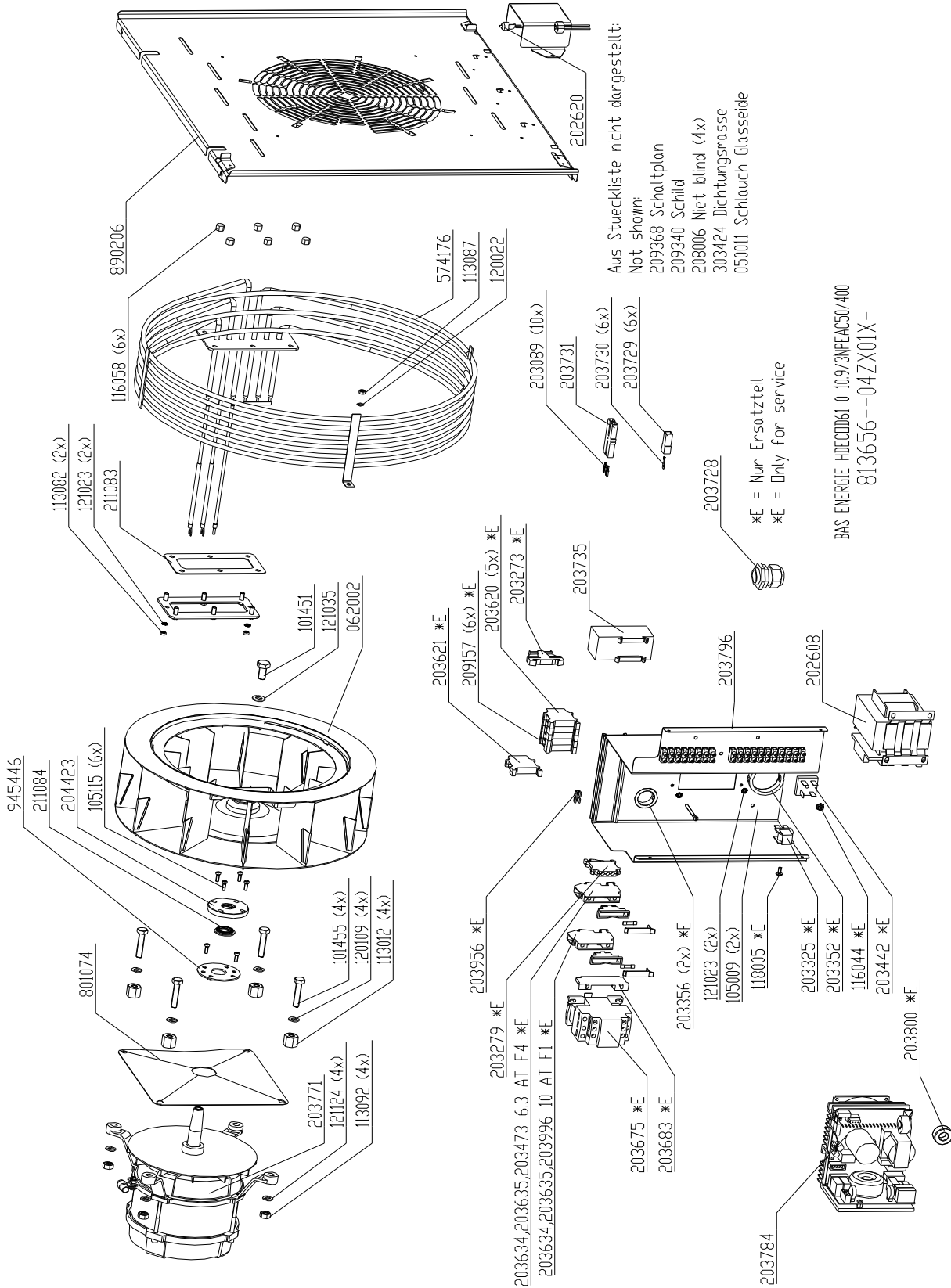
Valid from S/N 09021472 (Juli2009) with USB port



Until S/N 09021471 with serial port #033023 instead of USB port

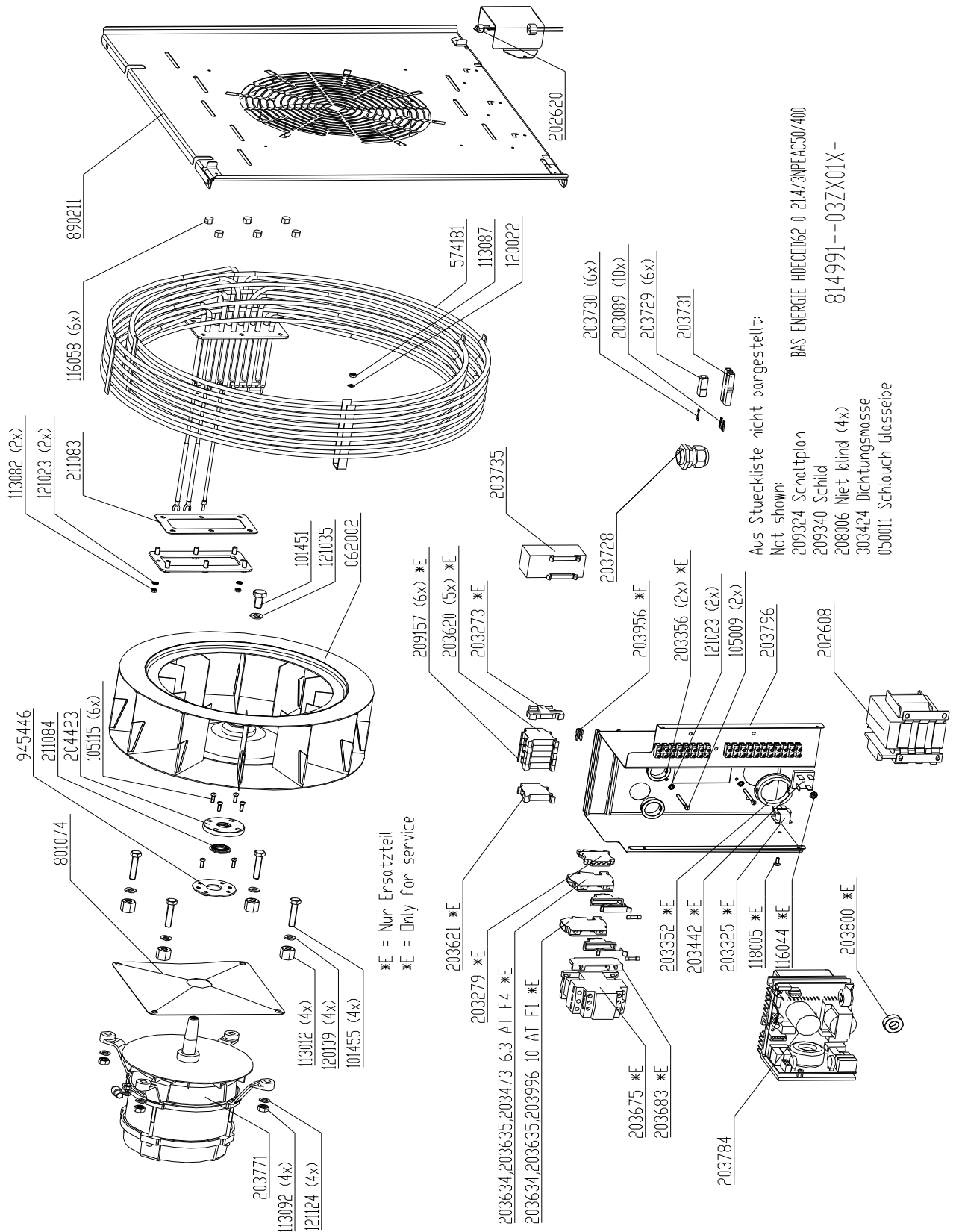


Electric assembly 3NPE 400V HD6.1



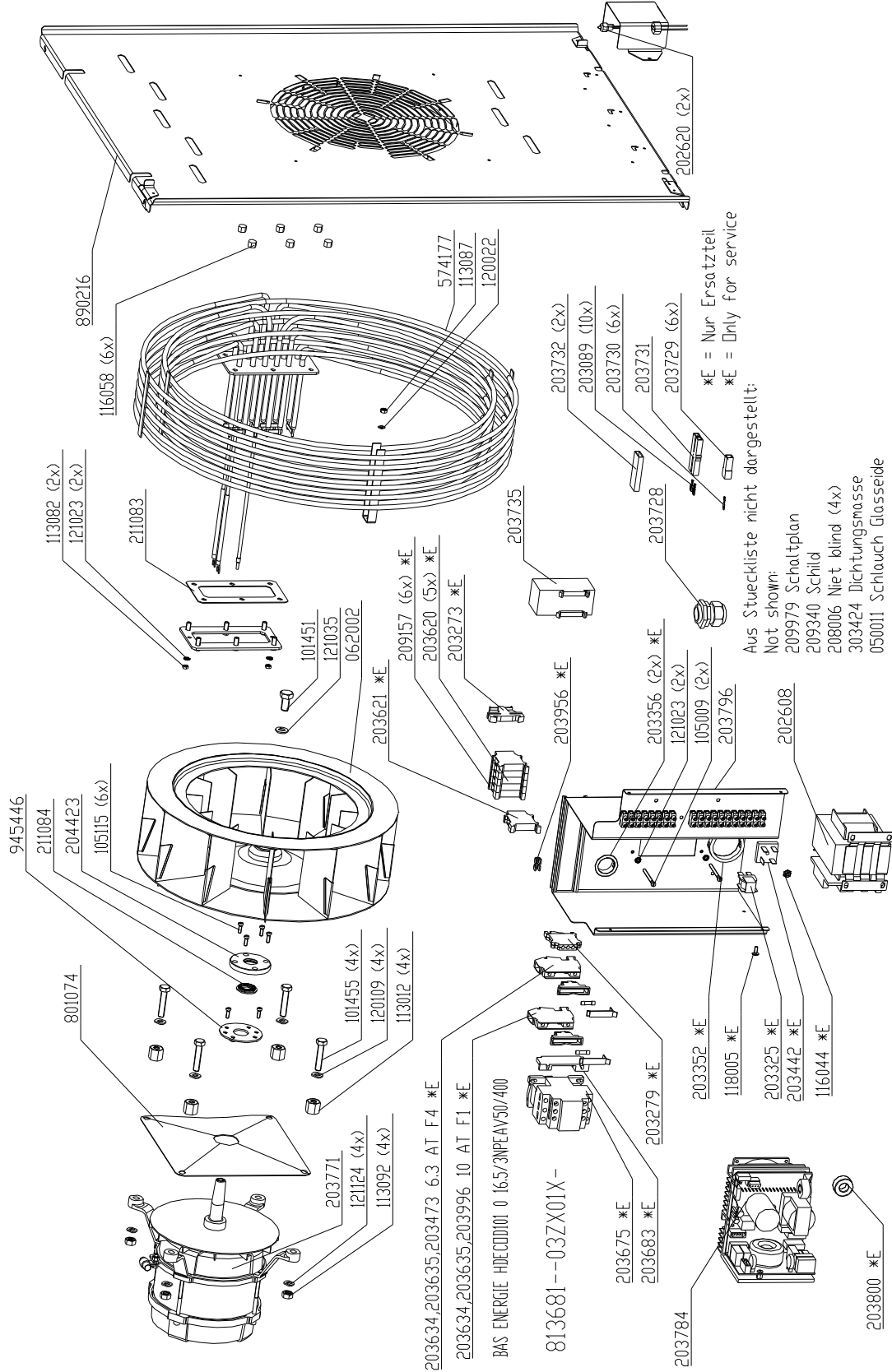
Bis (until) S/N 08022075 (August2008) Transformator (transformer) #203818
 Ab (from) S/N 11209575 (August2011): #945446 → #945661, #204423 → 204681,
 #202620 → #203679

Electric assembly 3NPE 400V HD6.2



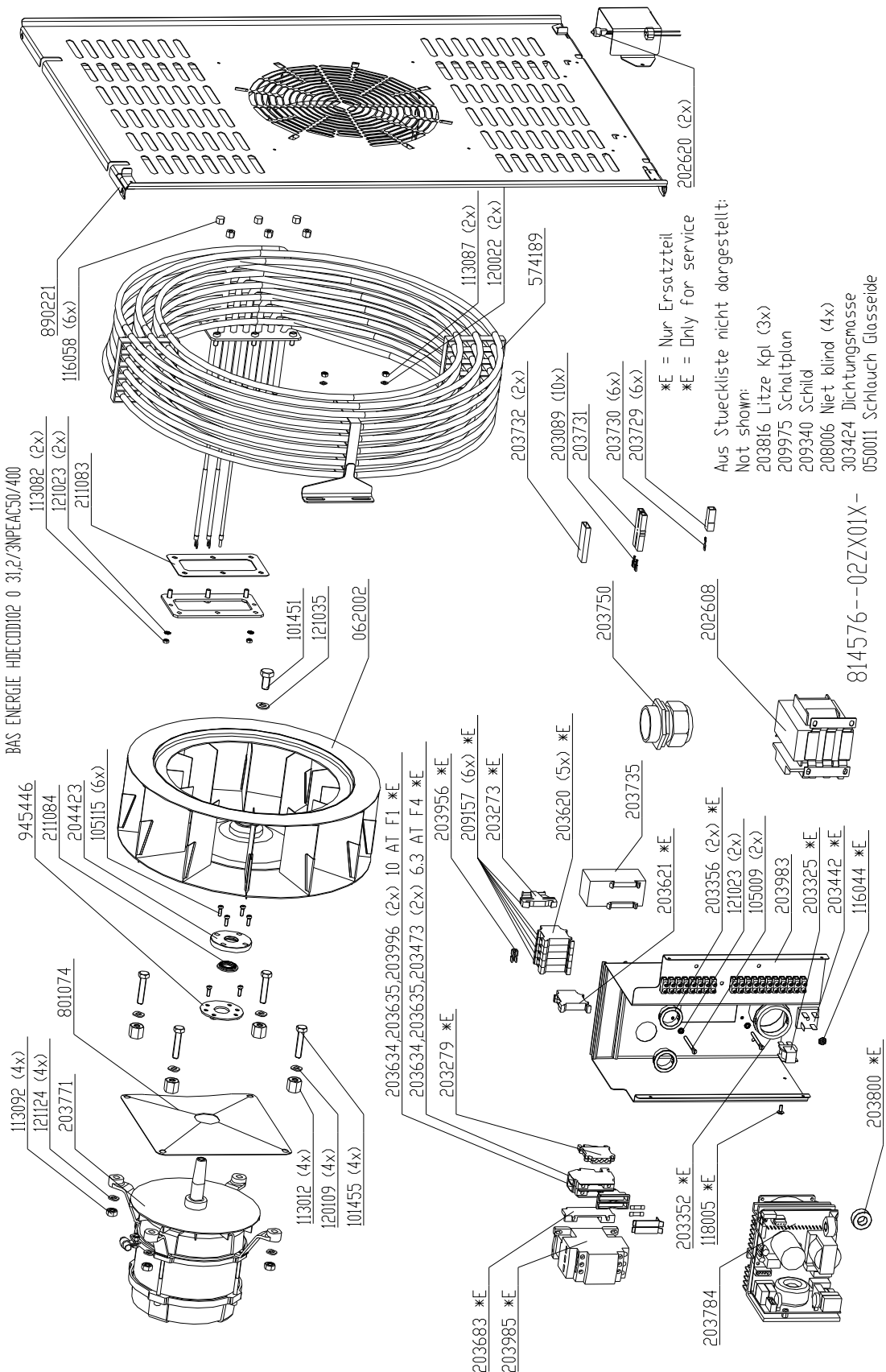
Bis (until) S/N 08022075 (August2008) Transformator (transformer) #203818
 Ab (from) S/N 11209575 (August2011): #945446 → #945661, #204423 → 204681,
 #202620 → #203679

Electric assembly 3NPE 400V HD10.1



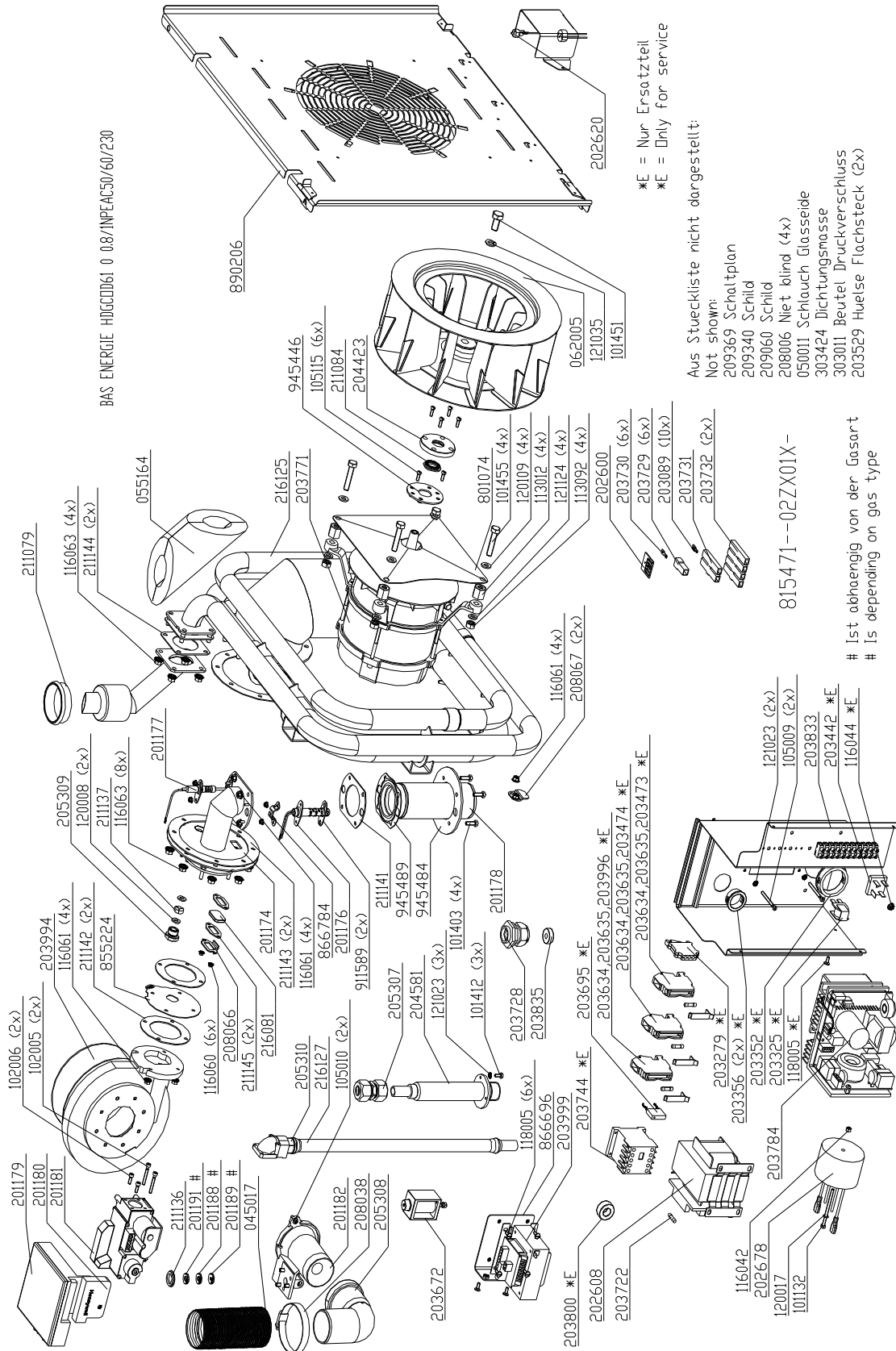
Bis (until) S/N 08022075 (August2008) Transformator (transformer) #203818

Electric assembly 3NPE 400V HD10.2



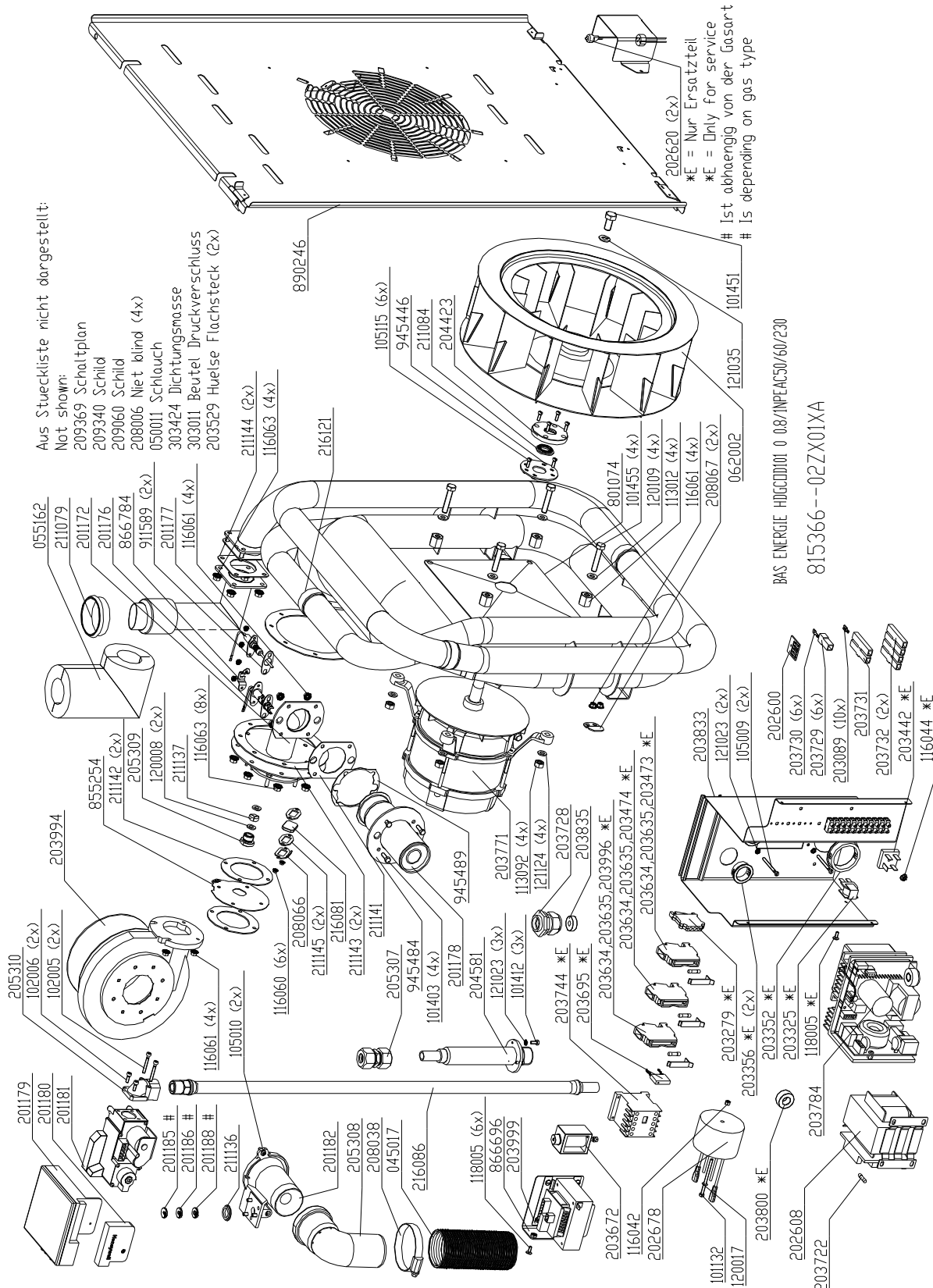
Bis (until) S/N 08022075 (August2008) Transformator (transformer) #203818

Gas assembly HD6.1



Bis (until) S/N 08022075 (August2008) Transformator (transformer) #203818
Ab (from) 11209862 (August2011): #202620 → #203679

Gas assembly HD10.1



Aus Stueckliste nicht dargestellt:
Not shown:
209369 Schaltplan
209340 Schild
209060 Schild
208006 Niet blind (4x)
050011 Schlauch
303424 Dichtungsmasse
303011 Beutel Druckverschluss
203529 Huese Flachsteck (2x)

202620 (2x)
*E = Nur Ersatzteil
*E = Only for service
Ist abhaengig von der Gasart
Is depending on gas type

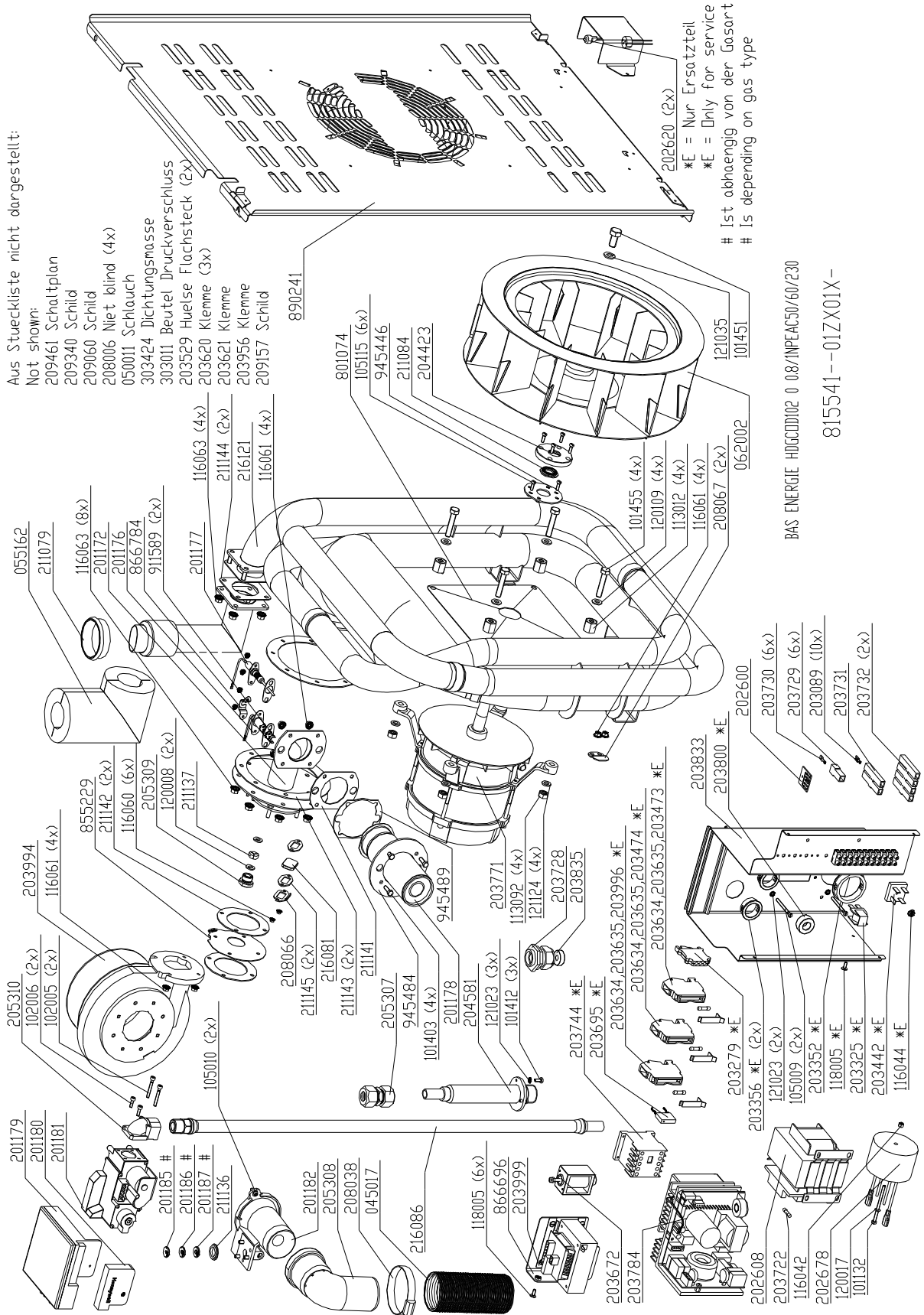
BAS ENERGIE HD6GD101 0.8/1NPEAS50/60/230
815366--02ZX01XA

Bis (until) S/N 08022075 (August2008) Transformator (transformer) #203818
Bis (until) S/N 09020157: #216085 ersetzt durch (replaced by) #216121 & # 855254. Es müssen beide Teile ersetzt werden (Both parts must be replaced!)

Ab (from) 11210677 (August2011): #202620 → #203679



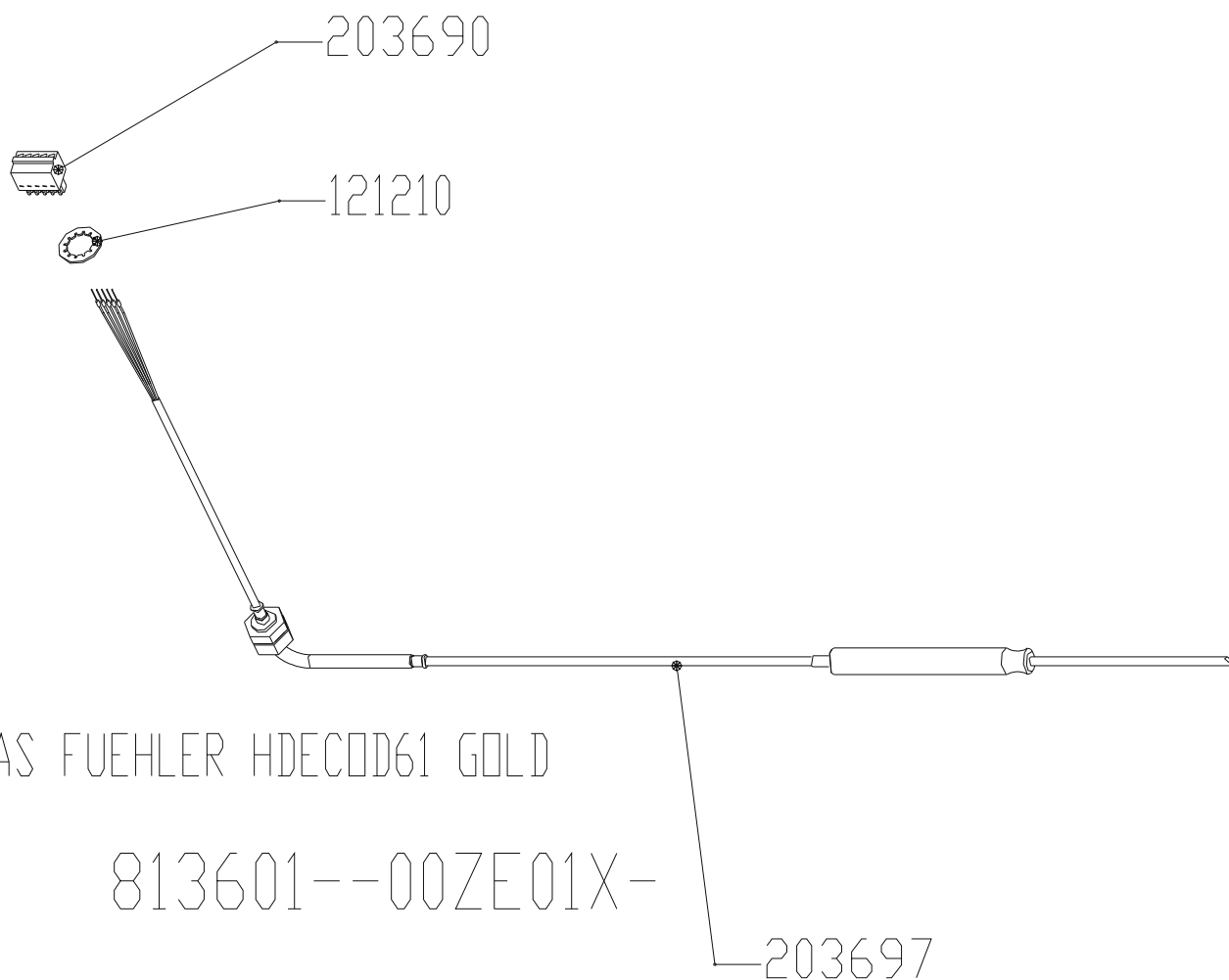
Gas assembly HD10.2



Bis (until) S/N 08022075 (August2008) Transformator (transformer) #203818

Ab (from) 11210677 (August2011): #202620 → #203679

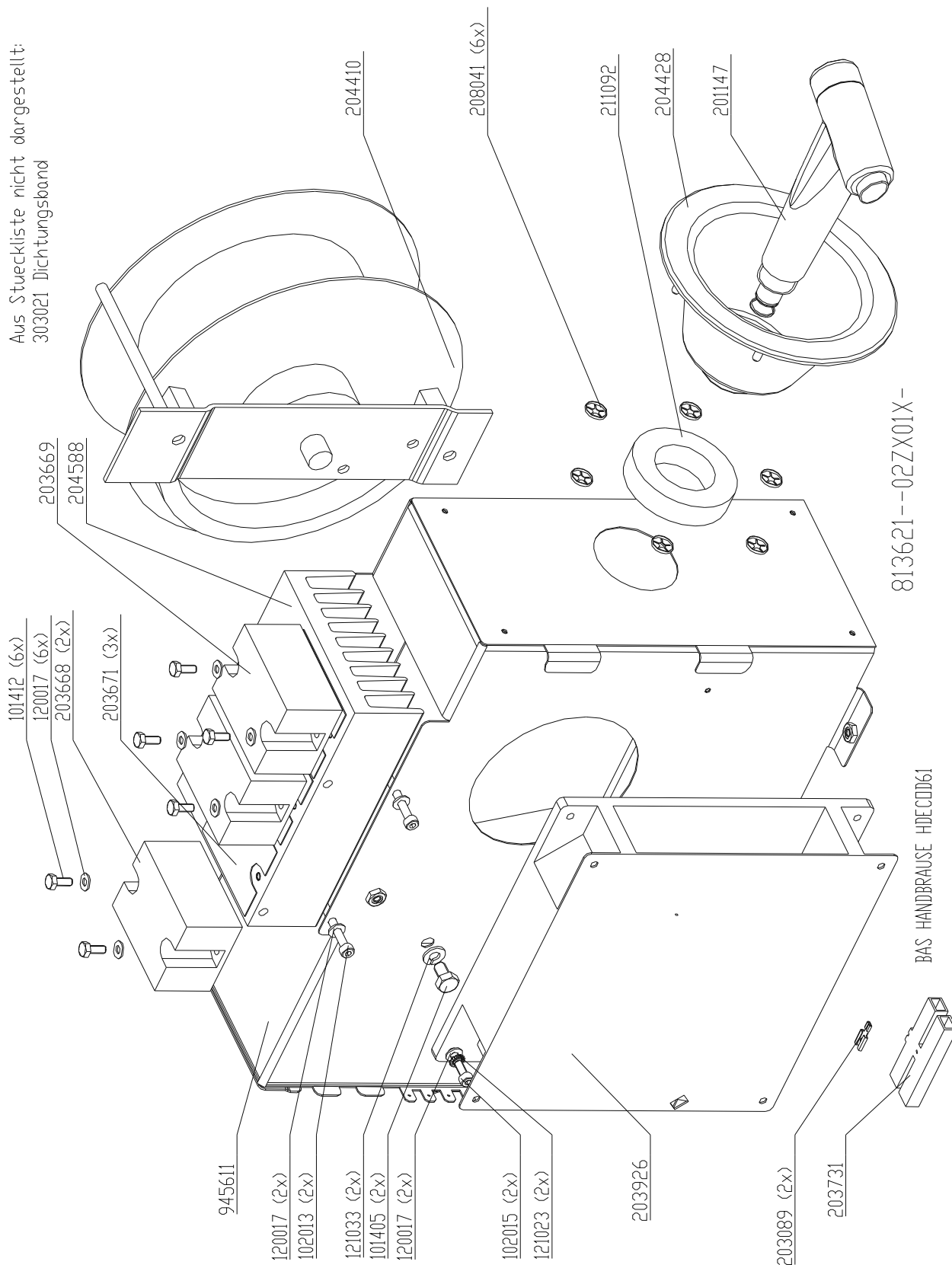
Core temperature probe HD6.x & HD10.x



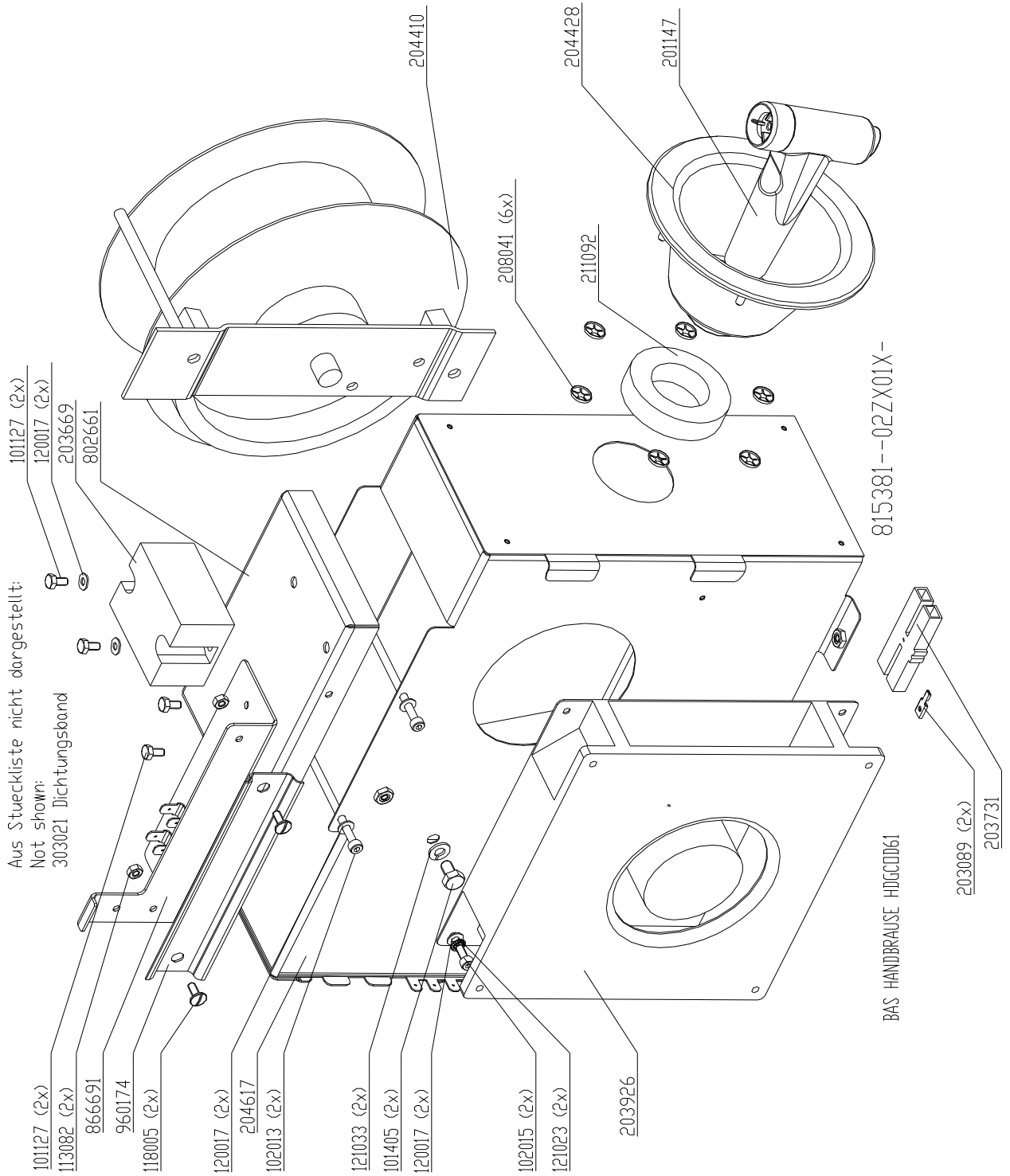
BAS FUEHLER HDECOD61 GOLD

813601--00ZE01X-

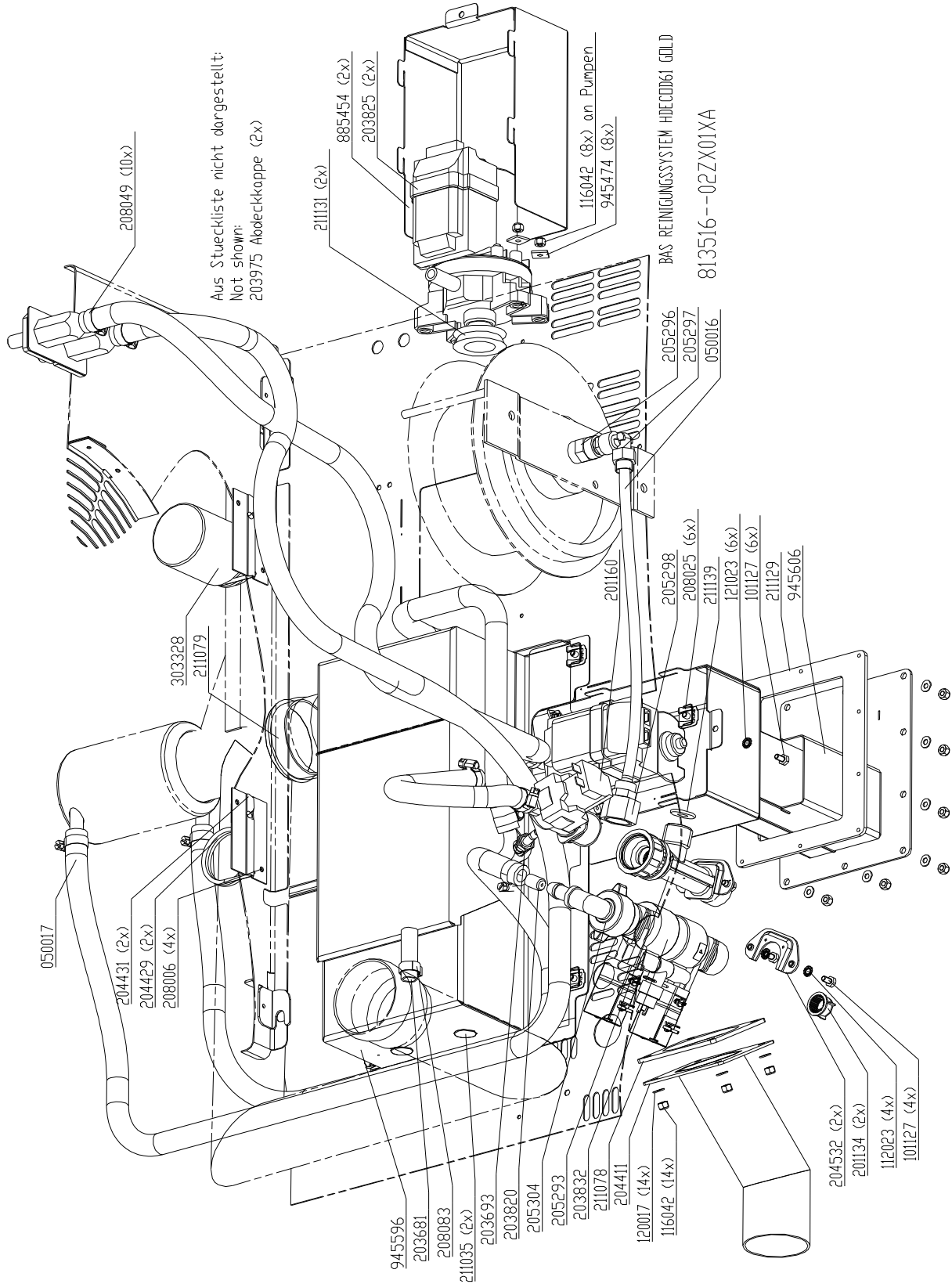
Tube carrier box & handshower HD6.x & HD10.x Electric



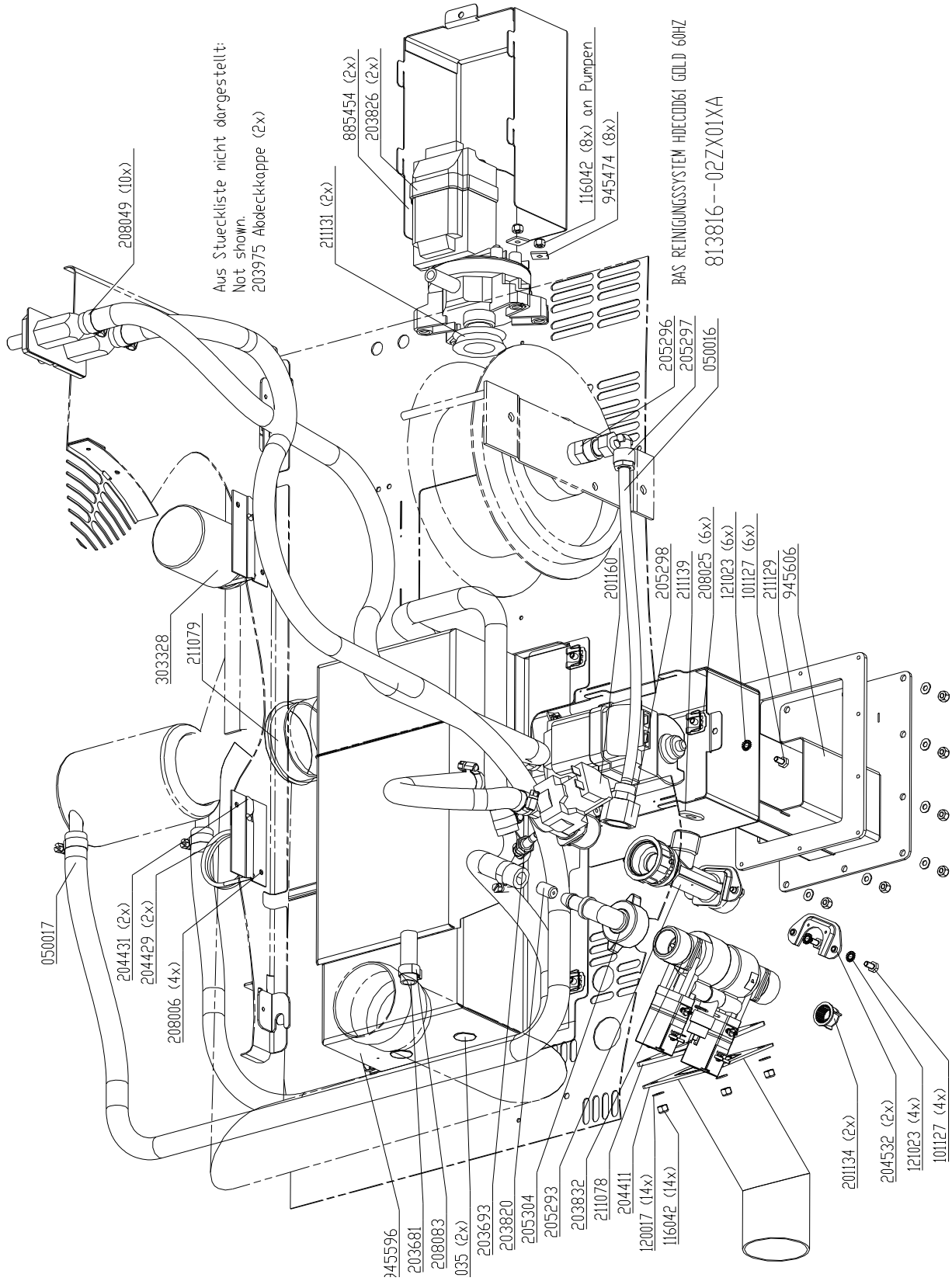
Tube carrier box & handshower 6.x & 10.x Gas



Water assembly 50Hz HD6.x & HD10.x



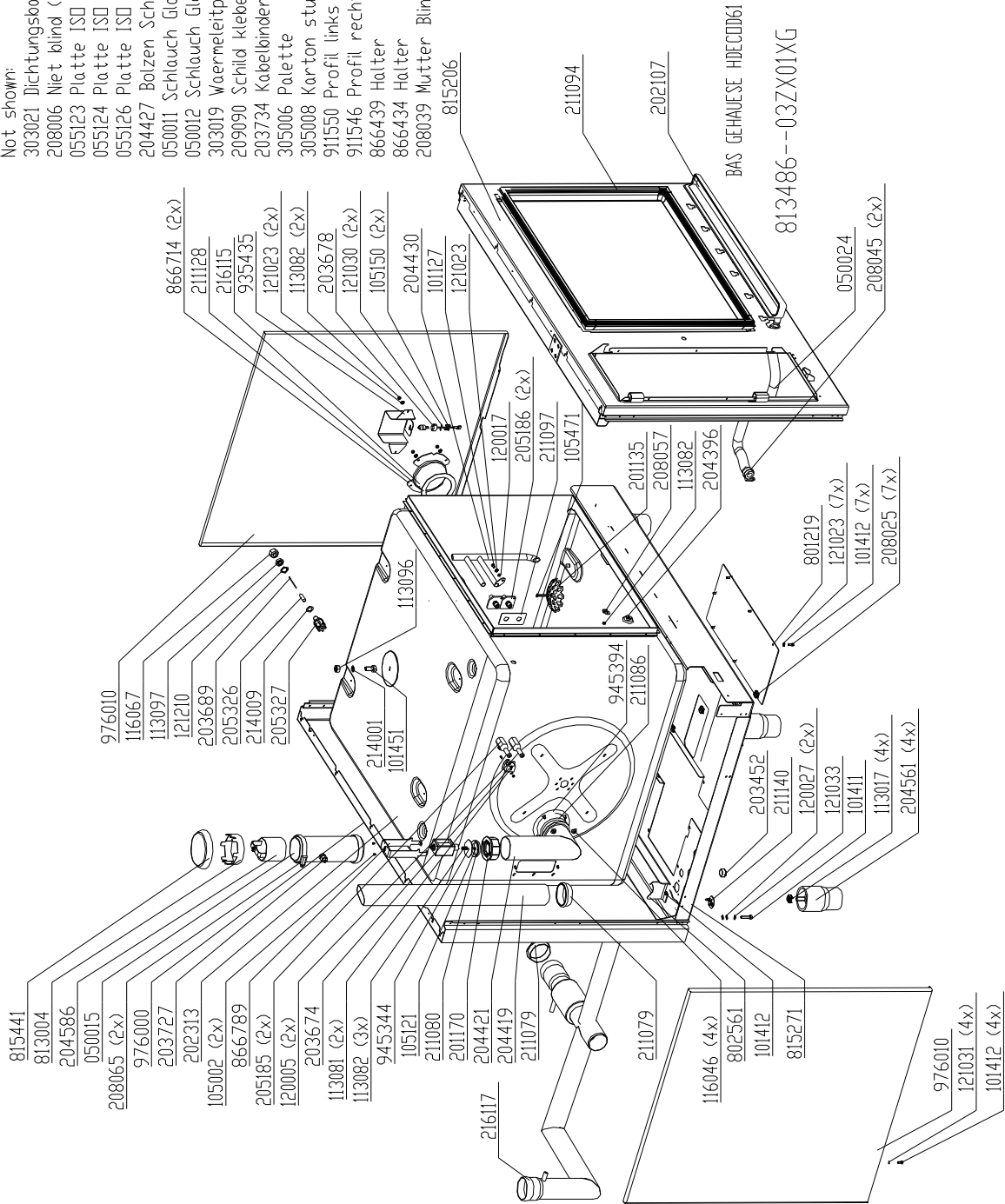
Water assembly 60Hz HD6.x & HD10.x



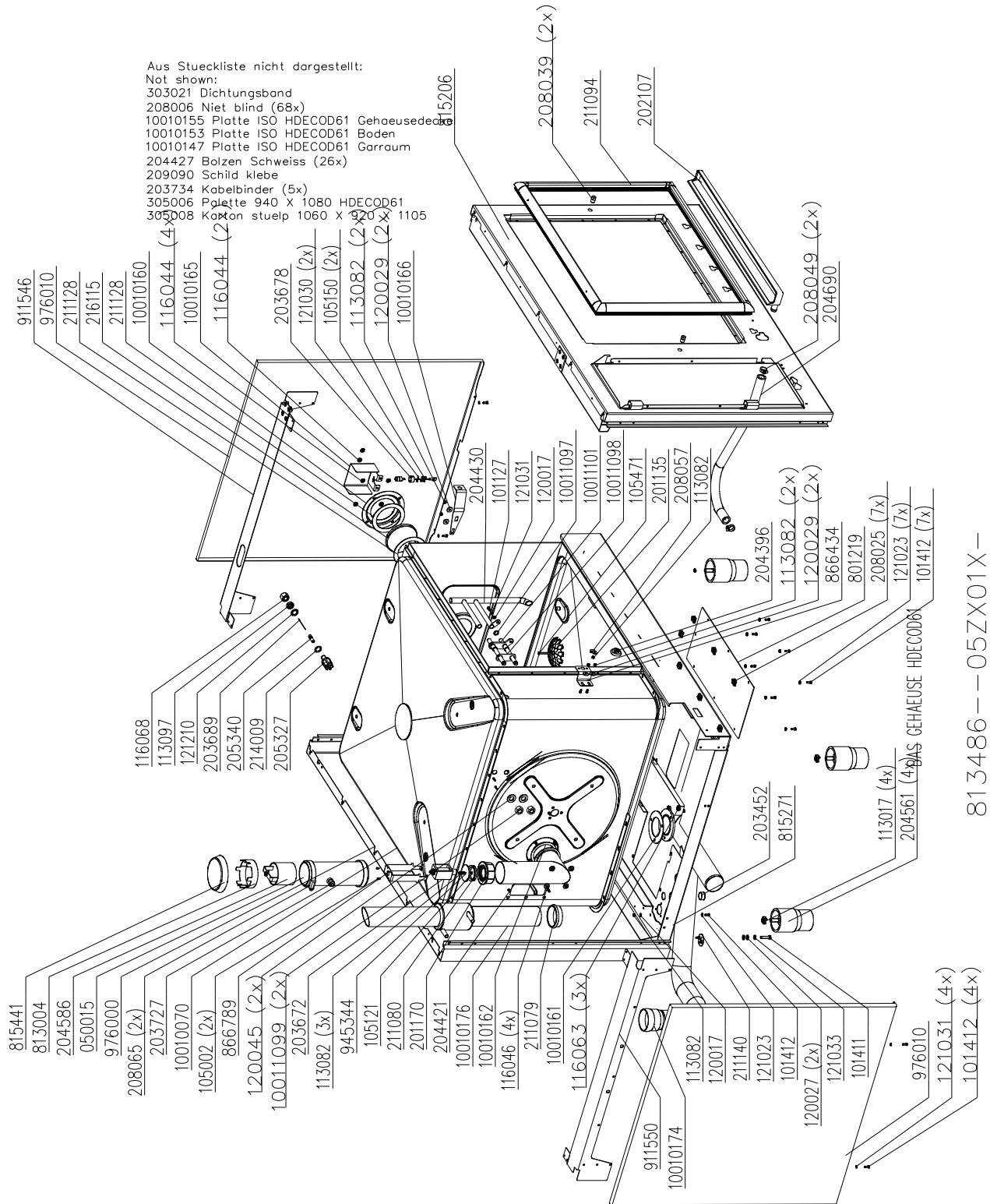
Chassis HD6.x Electric Valid until S/N 11209574 (August 2011)

Aus Stueckliste nicht dargestellt:
Not shown:

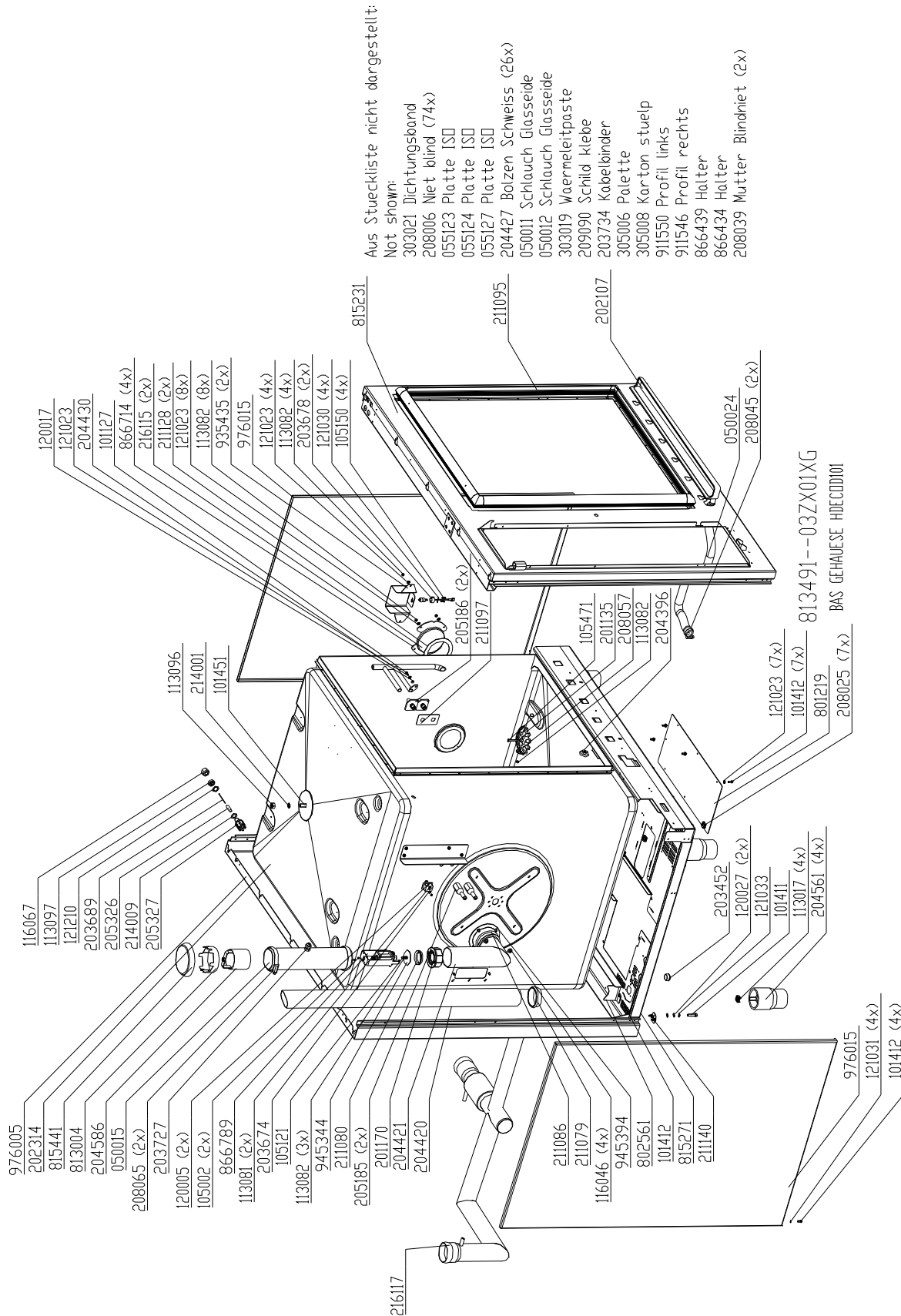
- 303021 Dichtungsband
- 208006 Niet blind (68x)
- 055123 Platte ISO
- 055124 Platte ISO
- 055126 Platte ISO
- 204427 Bolzen Schweiss (26x)
- 050011 Schlauch Glasseide
- 050012 Schlauch Glasseide
- 303019 Waermeleitpaste
- 209090 Schild klebe
- 203734 Kabelbinder
- 305006 Palette
- 305008 Karton stuelp
- 911550 Profil links
- 911546 Profil rechts
- 866439 Halter
- 866434 Halter
- 208039 Mutter Blindniet (2x)
- 815206



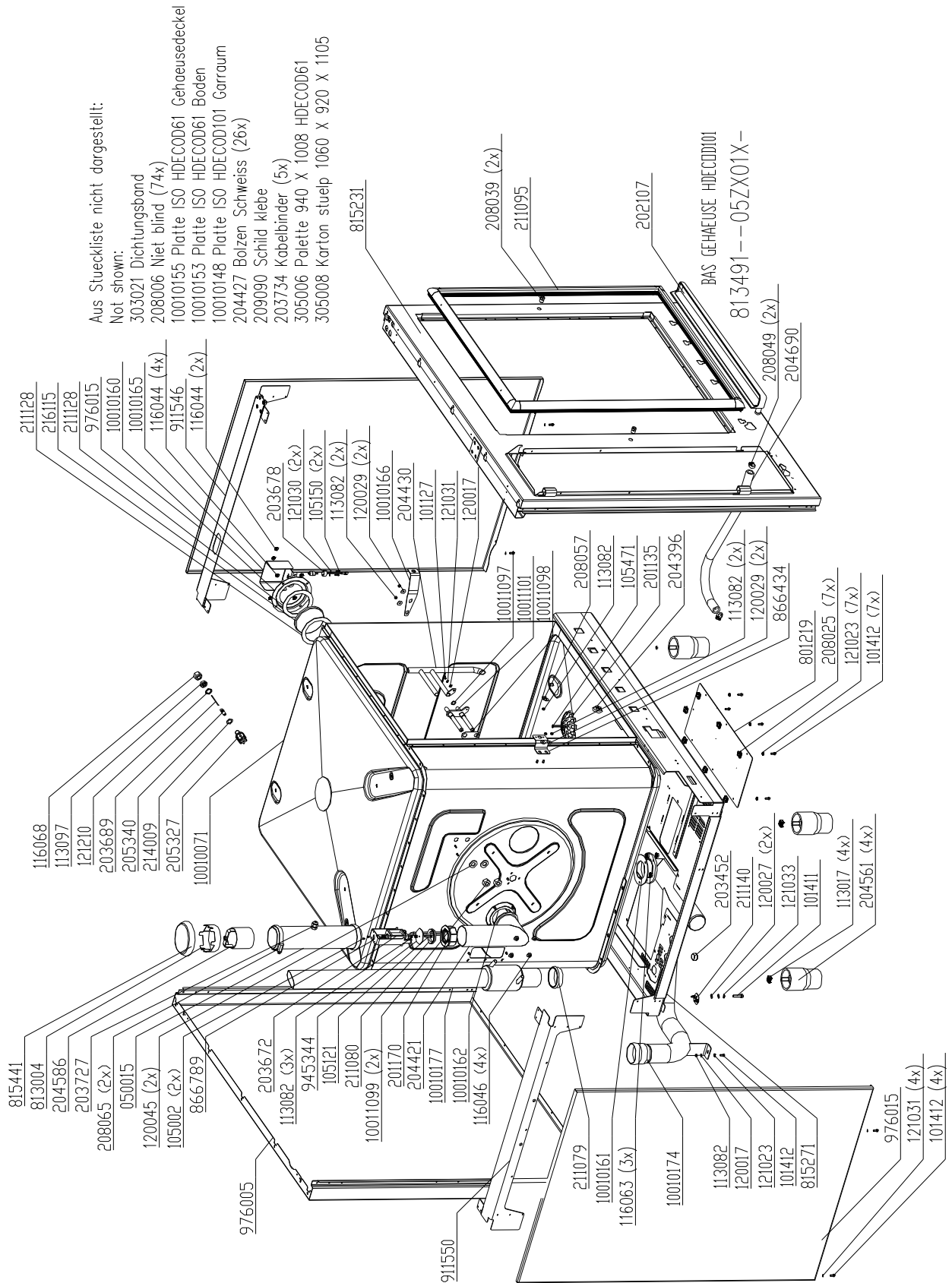
Chassis HD6.x Electric Valid from S/N 11209575 (August 2011)



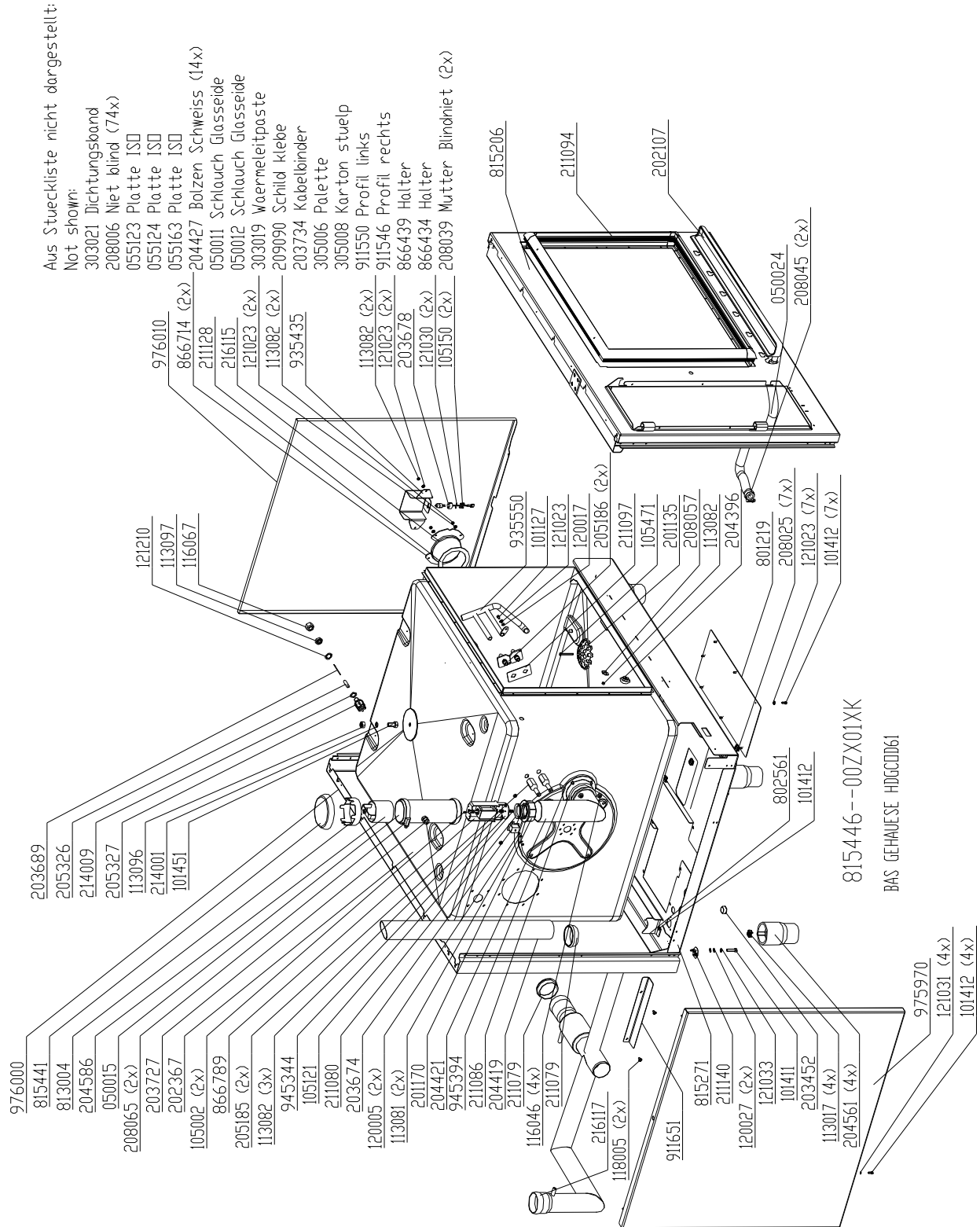
Chassis HD10.x Electric Valid until S/N 11208882 (August 2011)



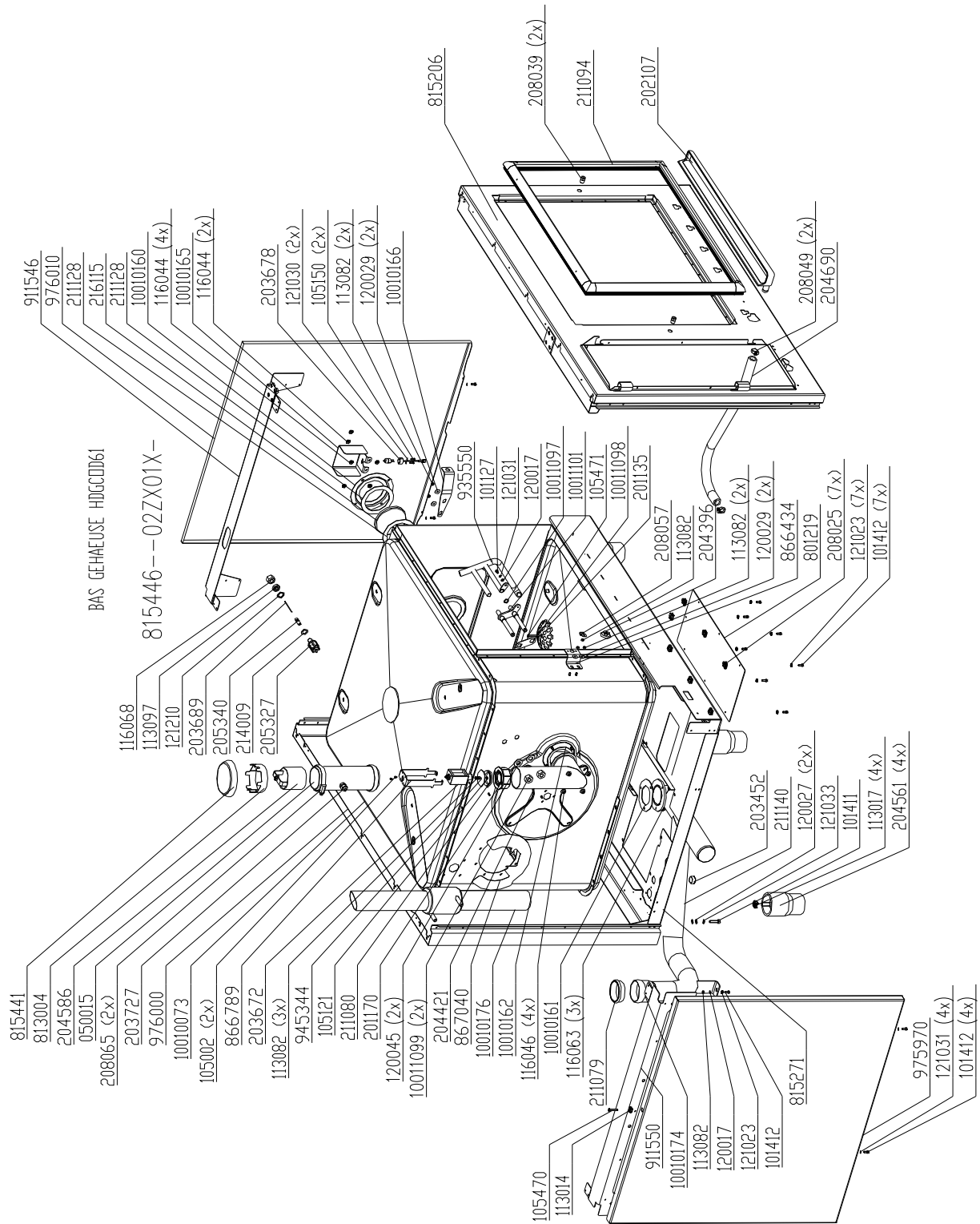
Chassis HD10.x Electric Valid from S/N 11208883 (August 2011)



Chassis HD6.x Gas Valid until S/N 11209861 (August 2011)



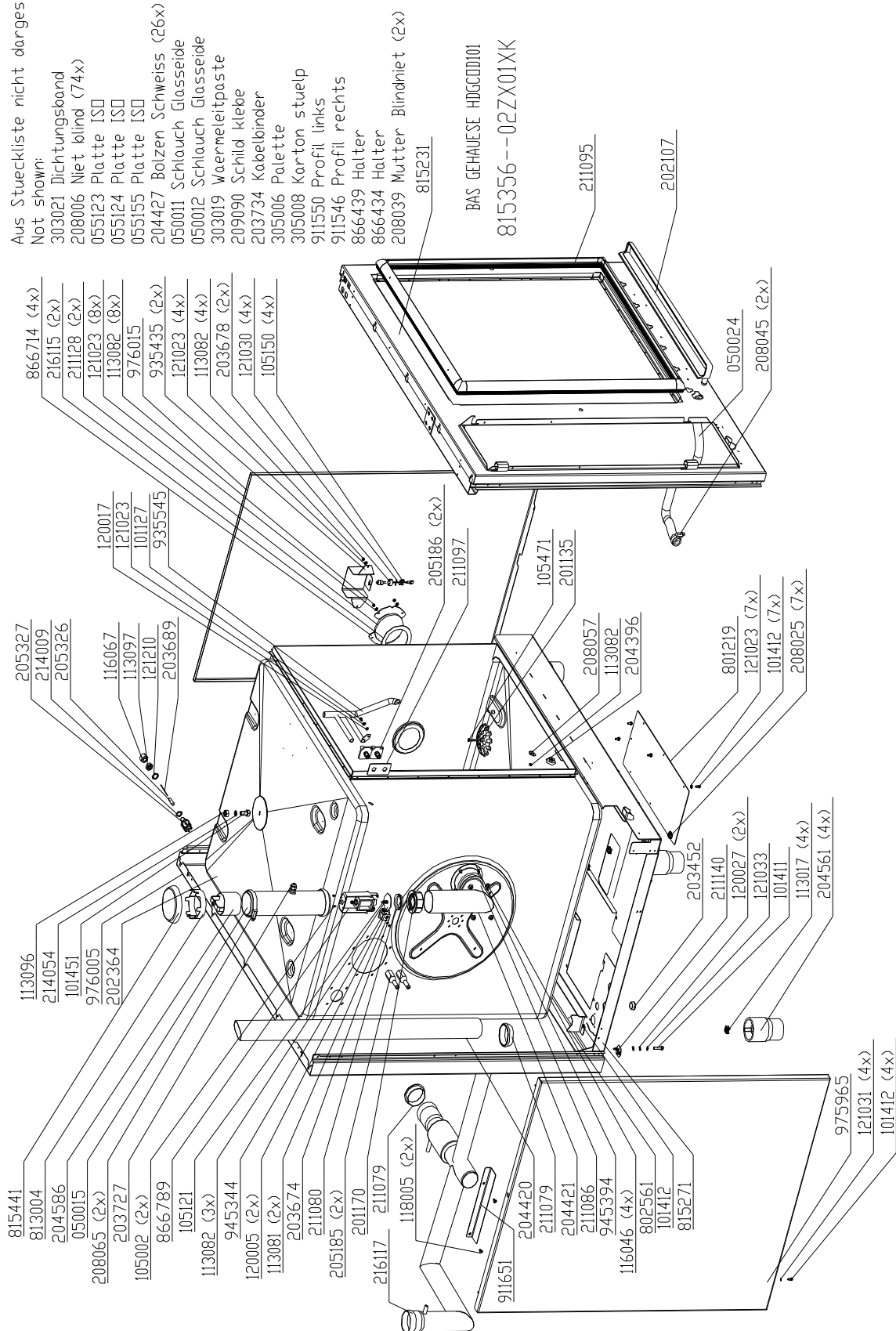
Chassis HD6.x Gas Valid from S/N 11209862 (August 2011)



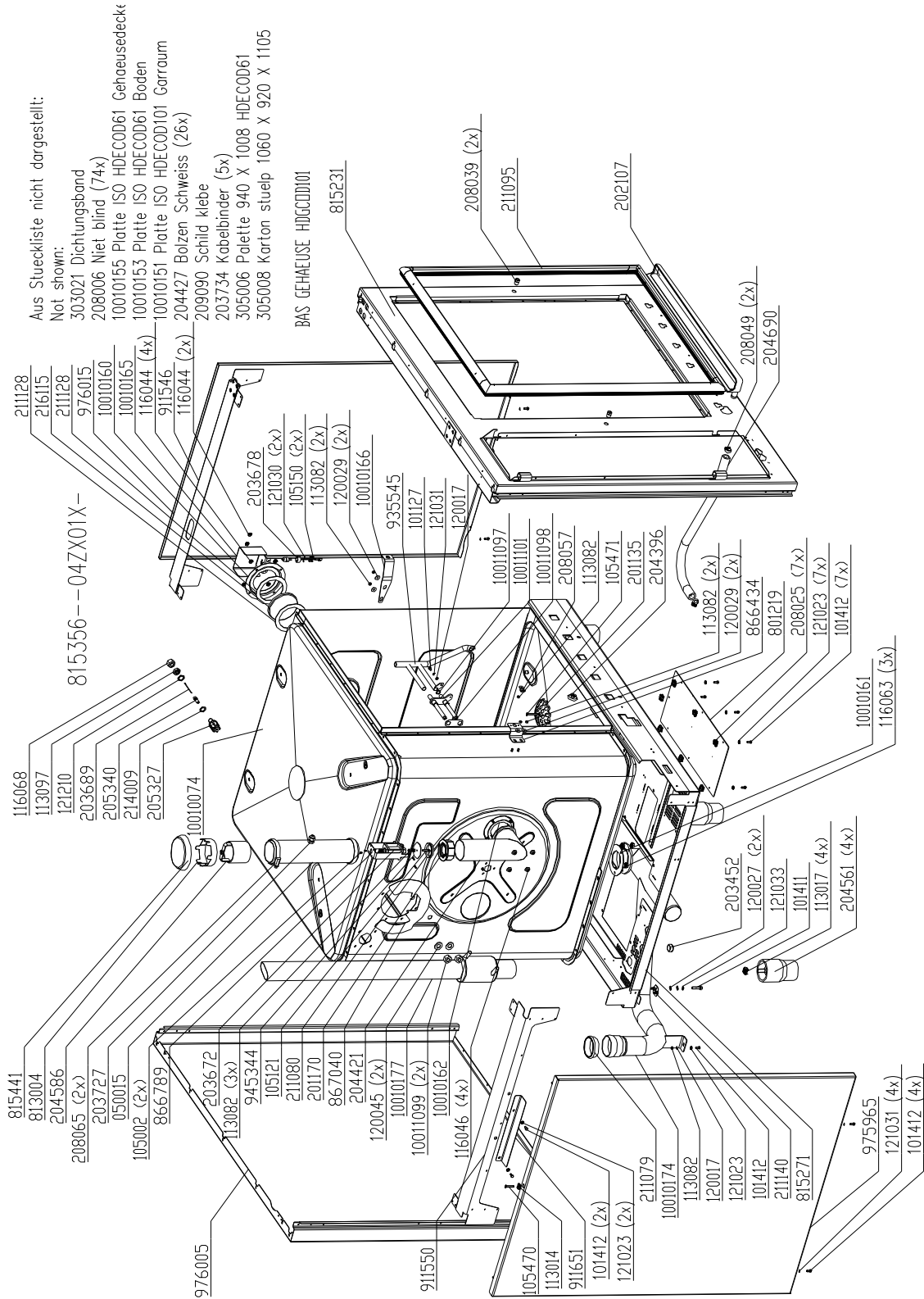
Chassis HD10.x Gas Valid until S/N 11210676 (August 2011)

Aus Stueckliste nicht dargestellt:
Not shown:

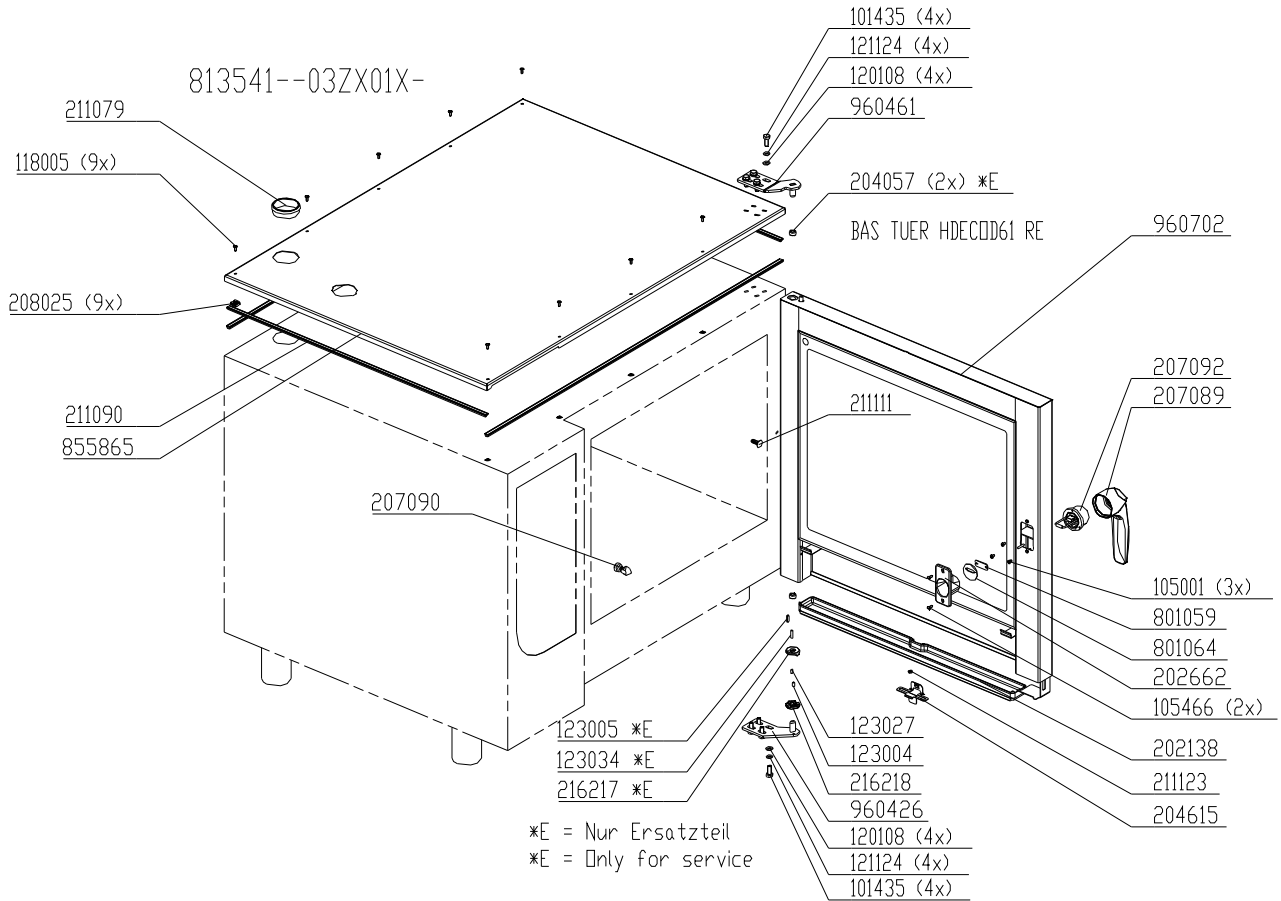
- 303021 Dichtungsband
- 208006 Niet blind (74x)
- 055123 Platte ISO
- 055124 Platte ISO
- 055155 Platte ISO
- 204427 Bolzen Schweiss (26x)
- 050011 Schlauch Glasseide
- 050012 Schlauch Glasseide
- 303019 Waermeleitpaste
- 209090 Schild klebe
- 203734 Kabelbinder
- 305006 Palette
- 305008 Karton stuelp
- 911550 Profil links
- 911546 Profil rechts
- 866439 Halter
- 866434 Halter
- 208039 Mutter Blindniet (2x)



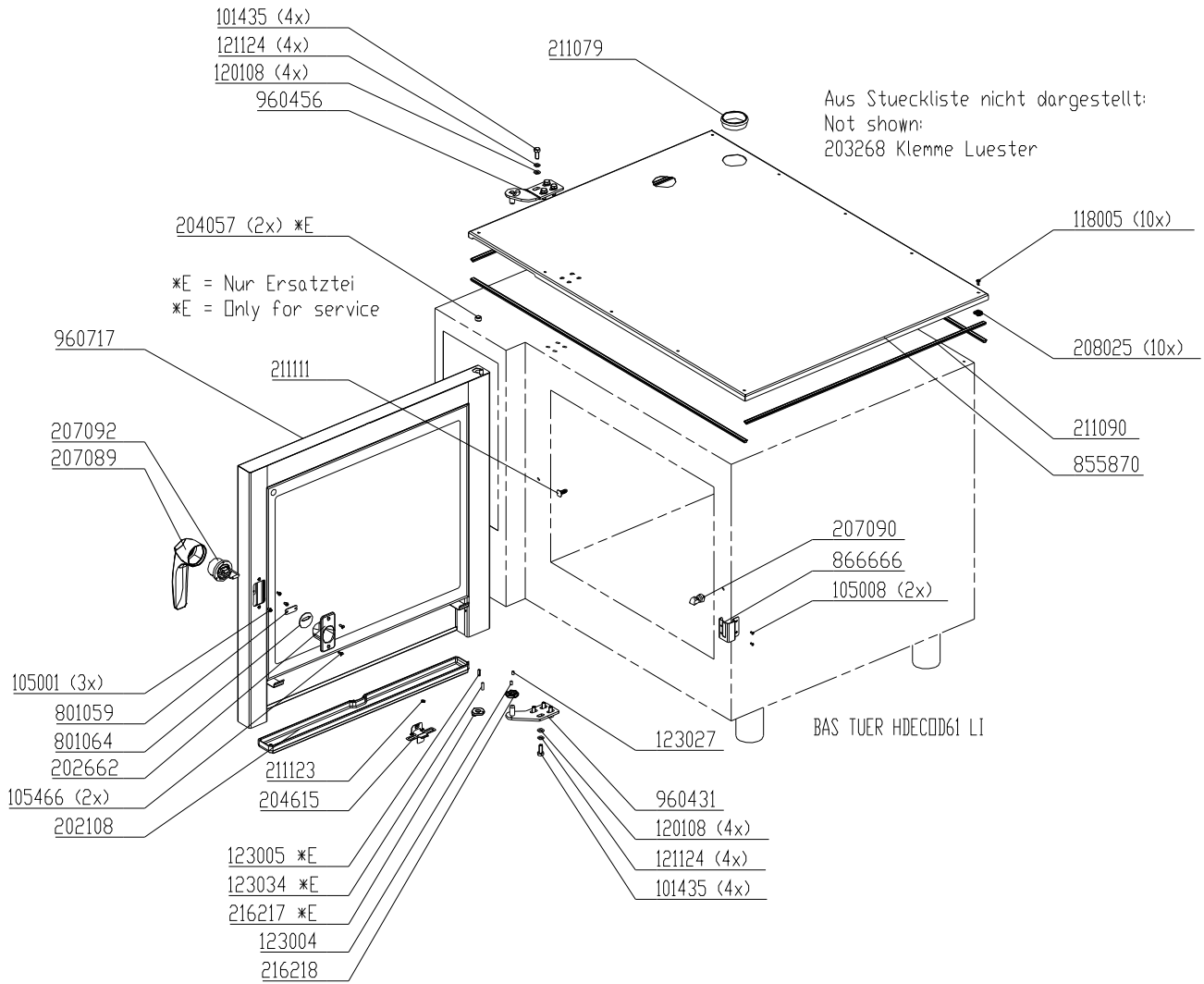
Chassis HD10.x Gas Valid from S/N 11210677 (August 2011)



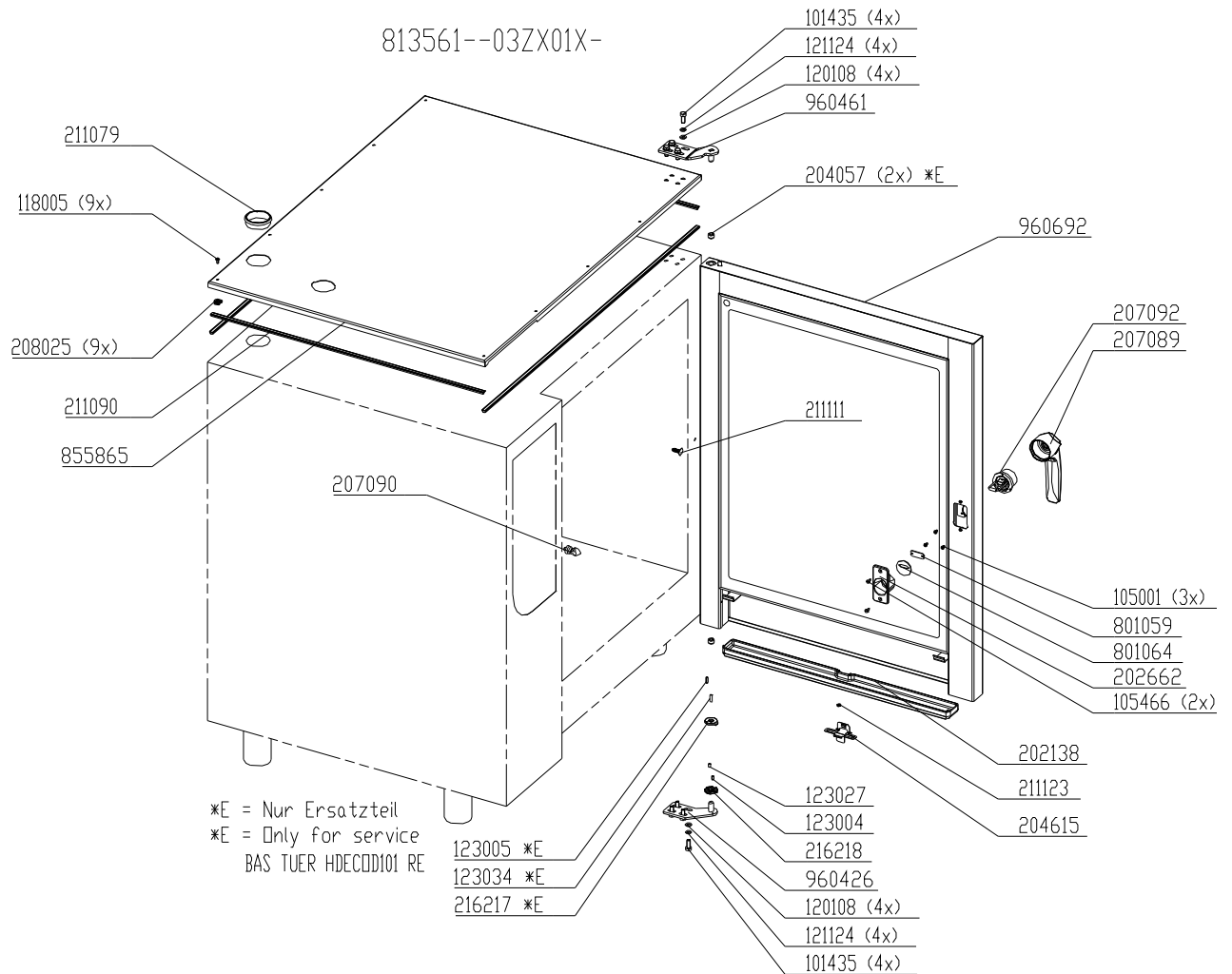
Chassis door area HD6.x, right hand hinged (Electric)



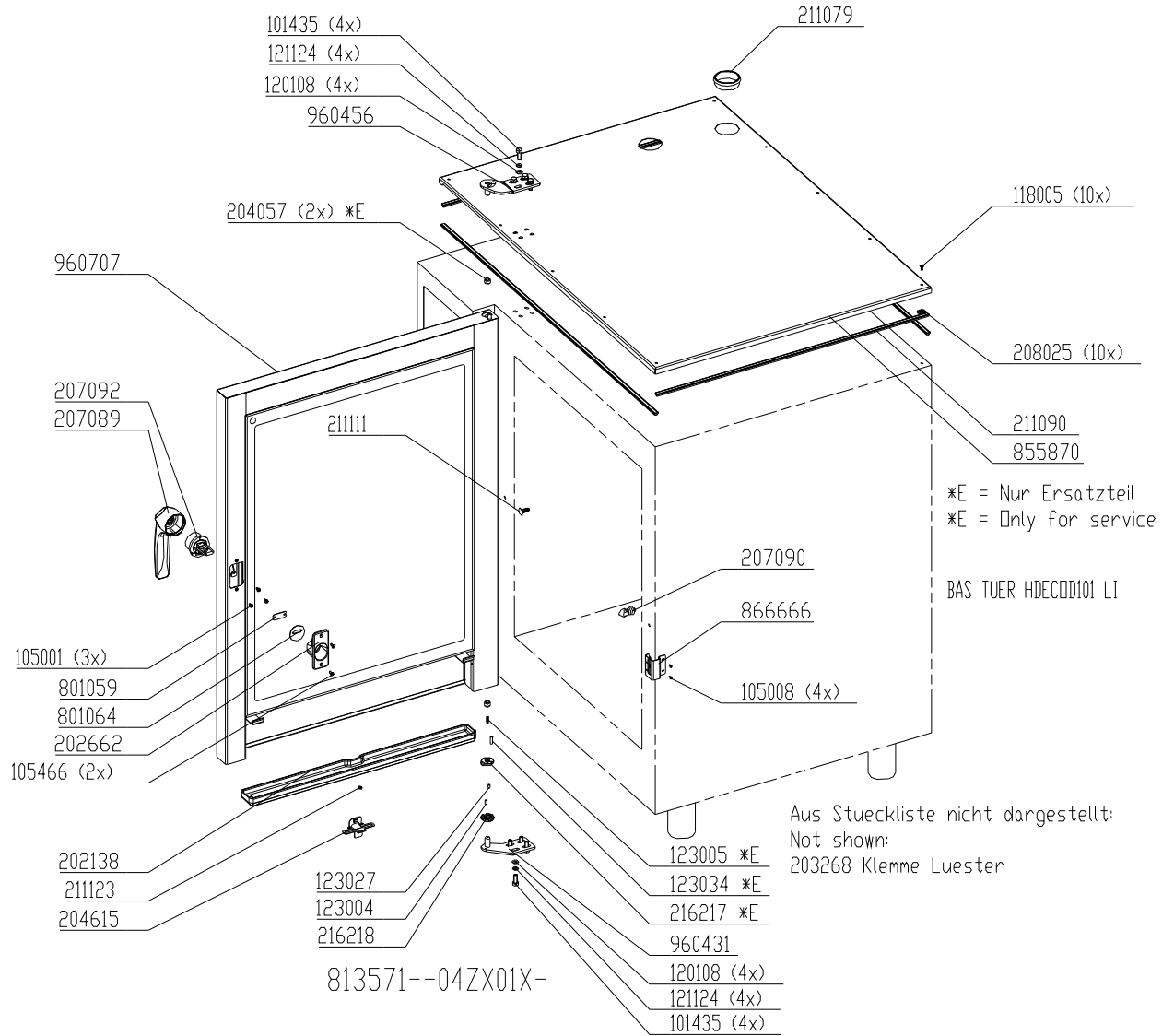
Chassis door area HD6.x, left hand hinged (Electric)



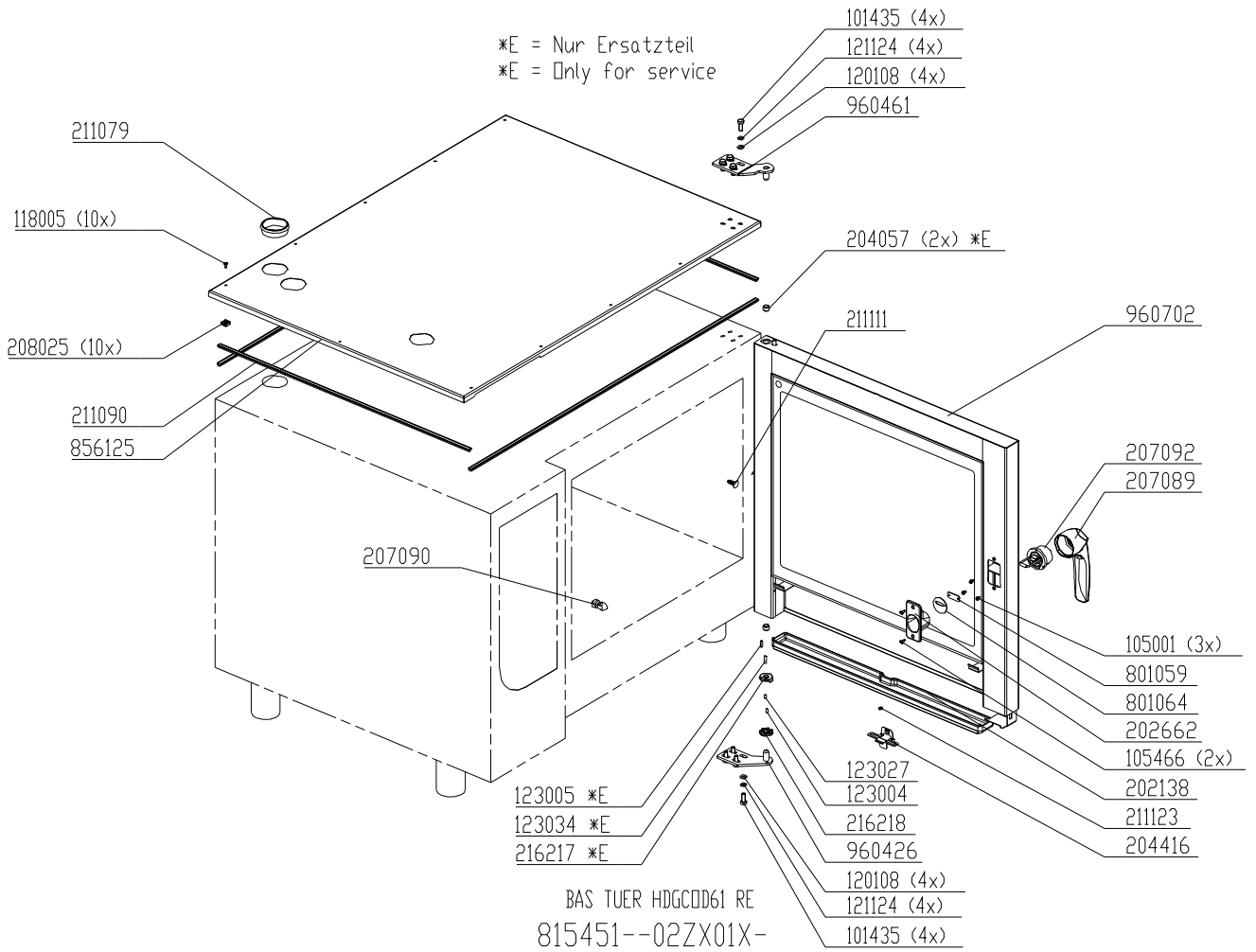
Chassis door area HD10.x, right hand hinged (Electric)



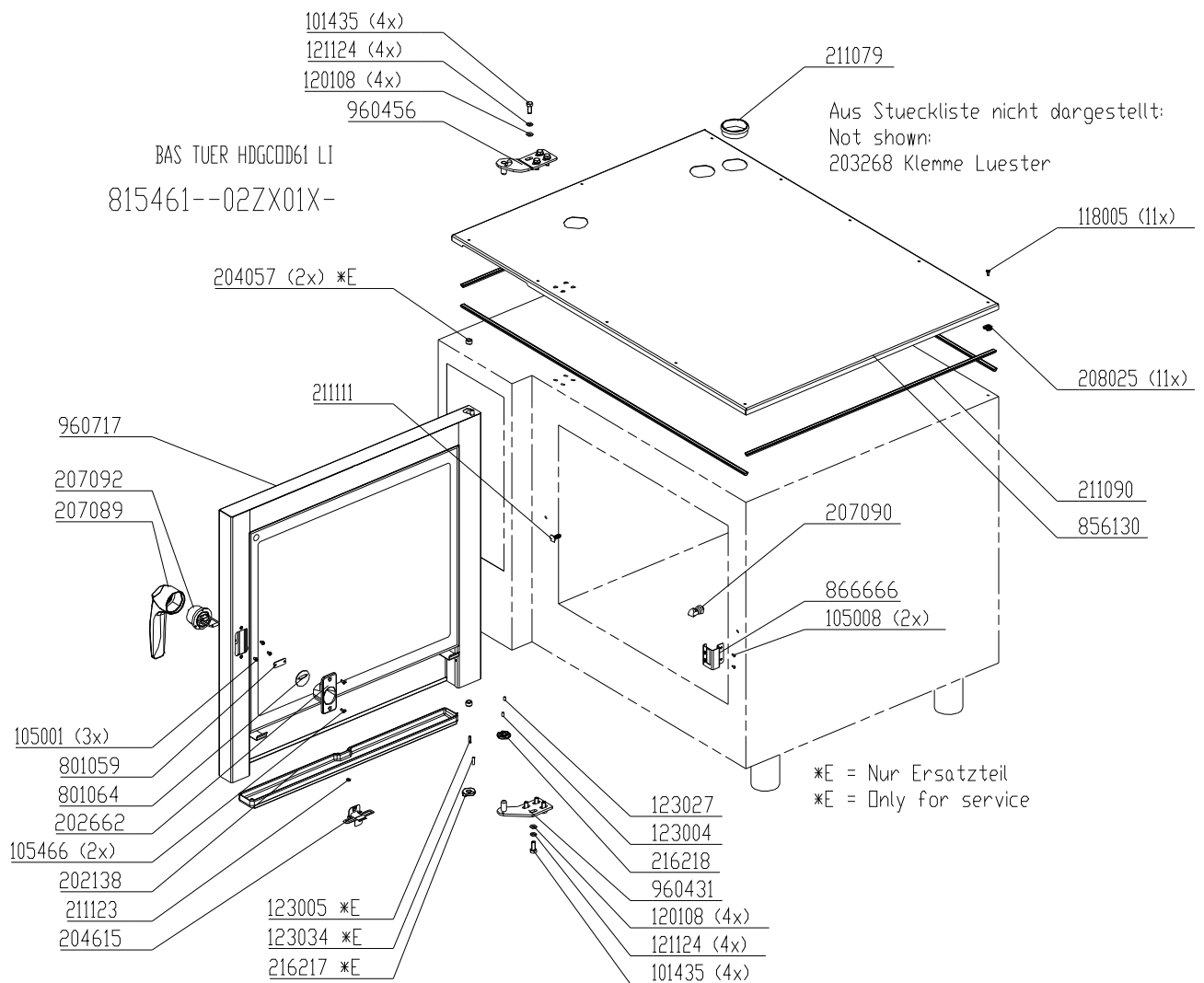
Chassis door area HD10.x, left hand hinged (Electric)



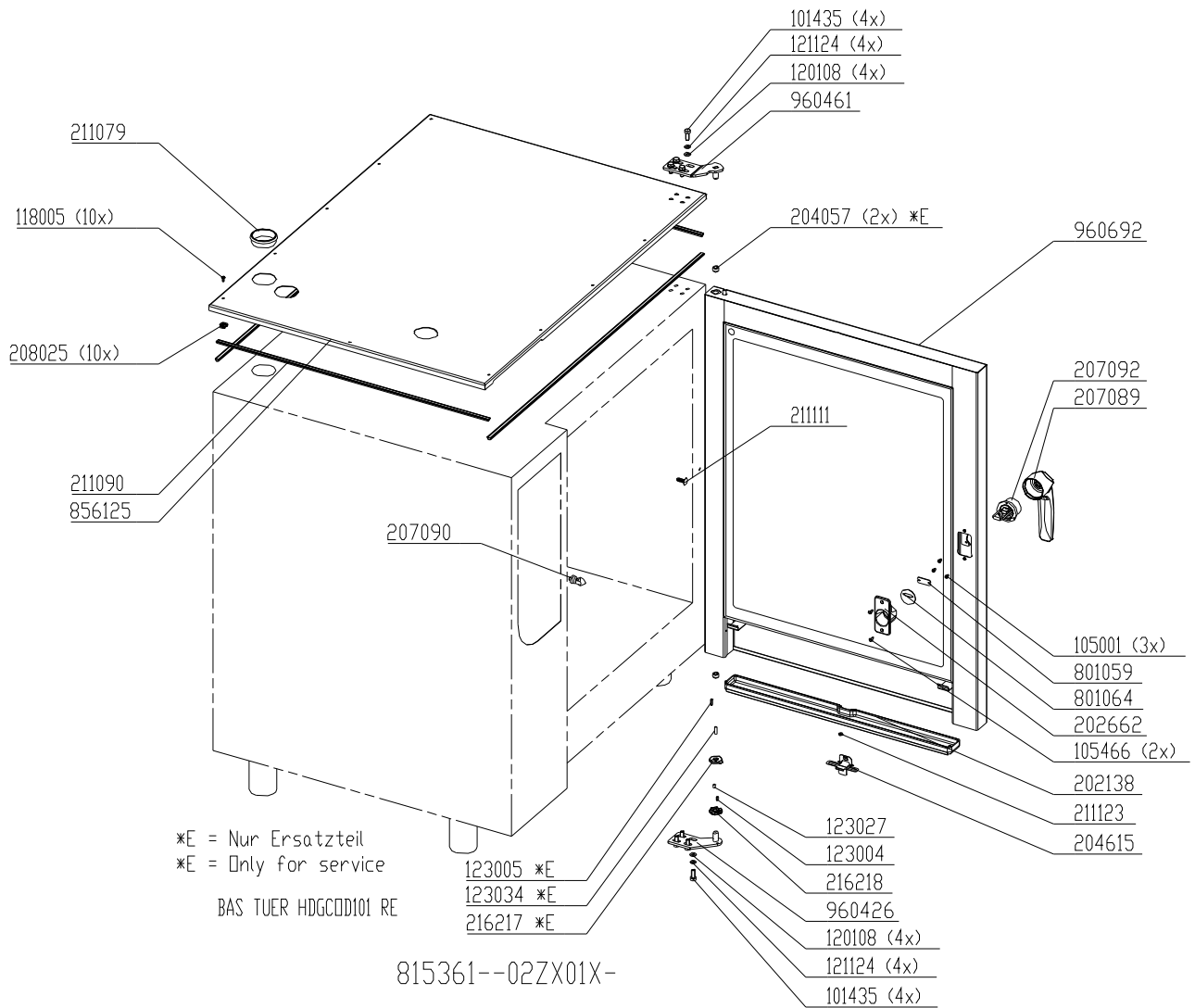
Chassis door area HD6.x, right hand hinged (Gas)



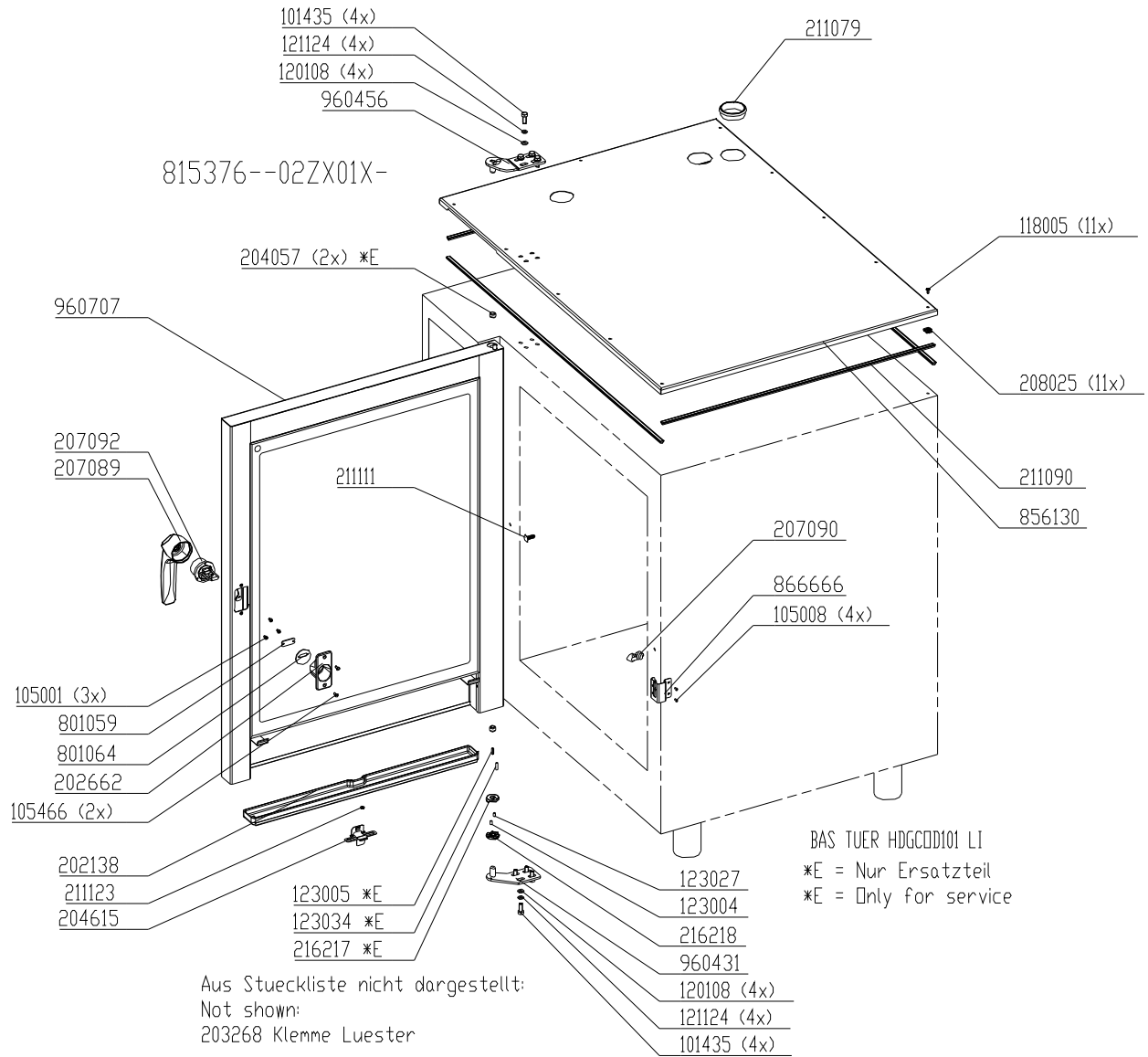
Chassis door area HD6.x, left hand hinged (Gas)



Chassis door area HD10.x, right hand hinged (Gas)



Chassis door area HD10.x, left hand hinged (Gas)

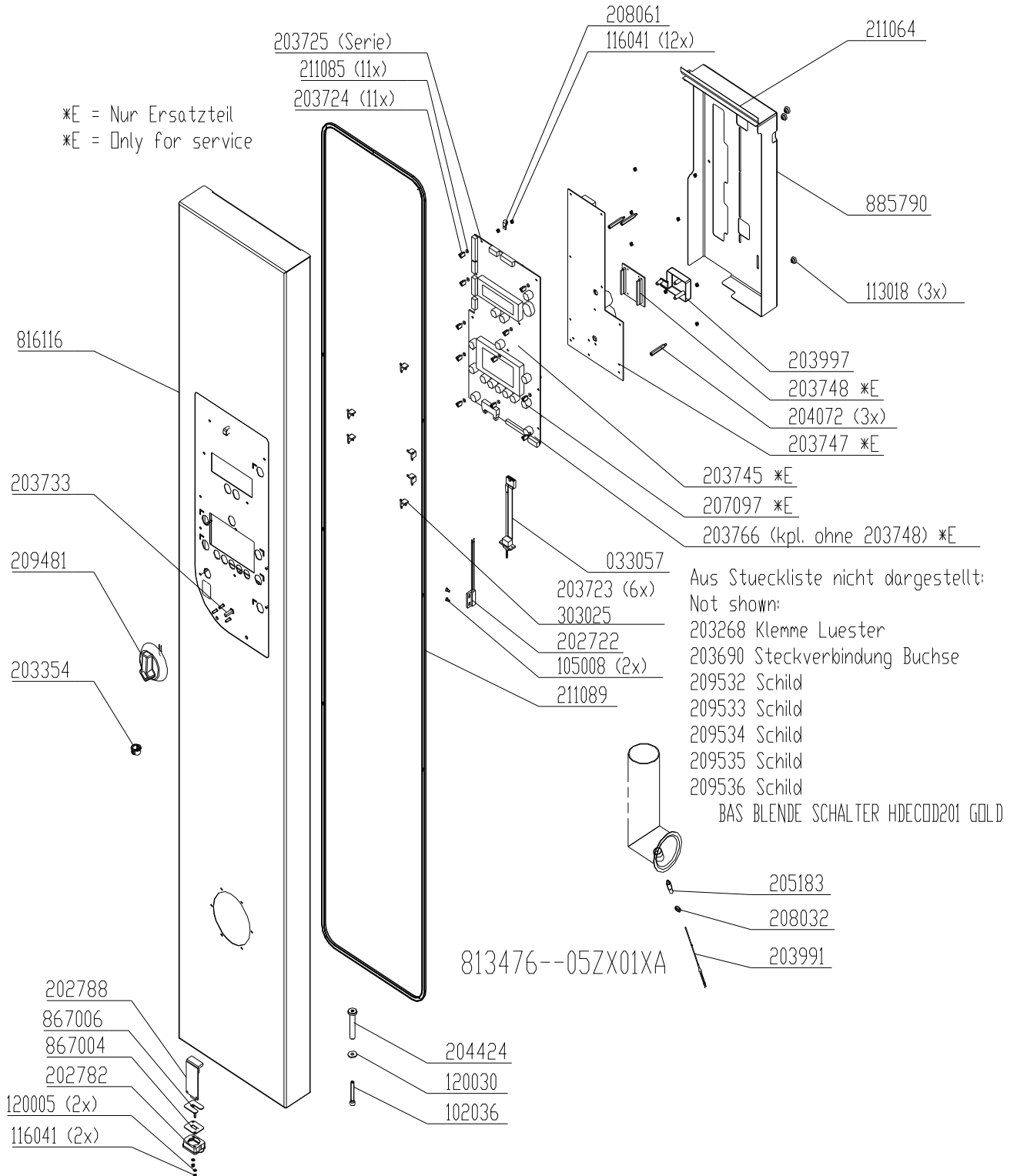


Exploded drawings 20.x

Electric & Gas

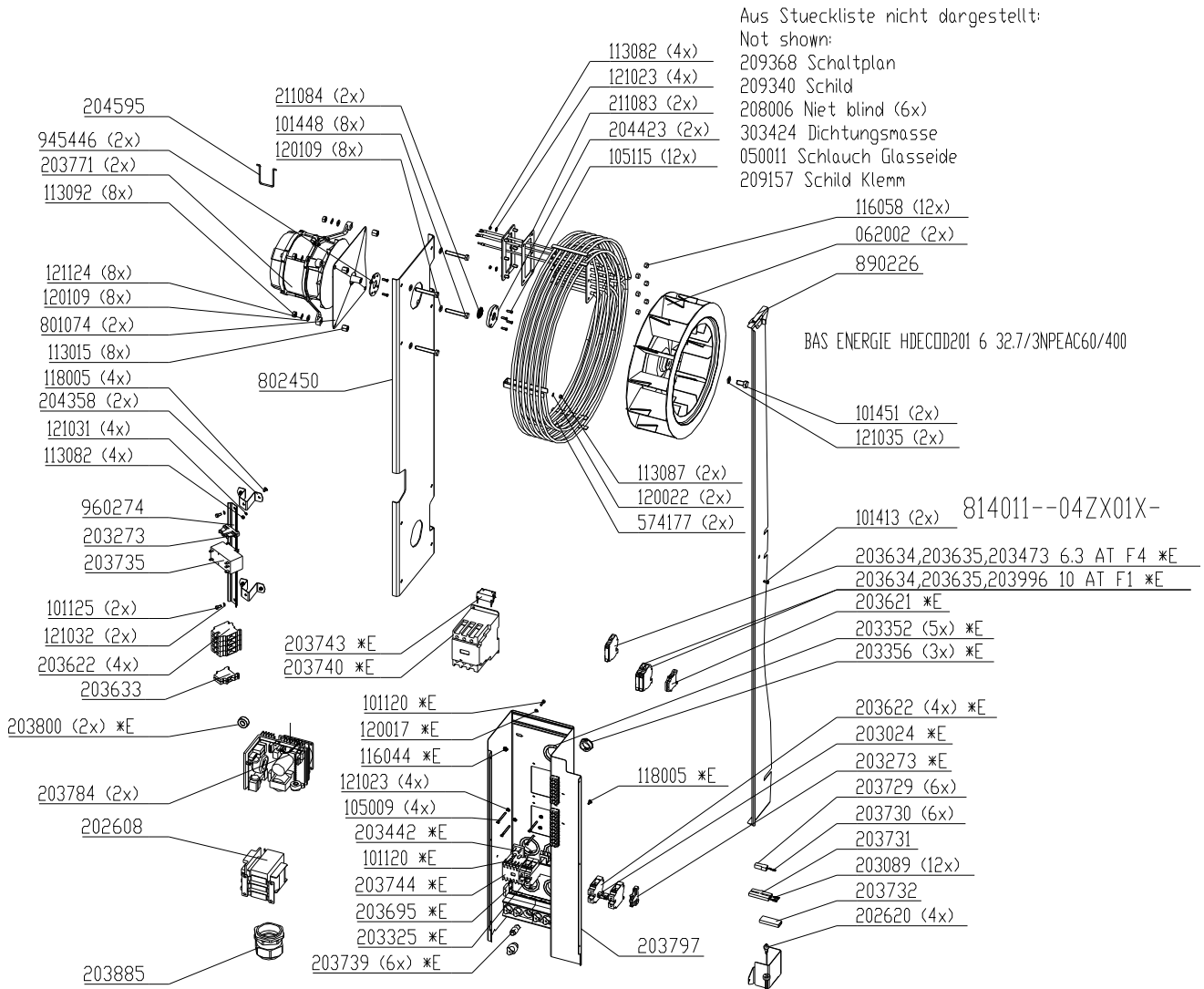
Front panel HD20.x Gold

Valid from S/N 09021472 (Juliy2009) with USB port



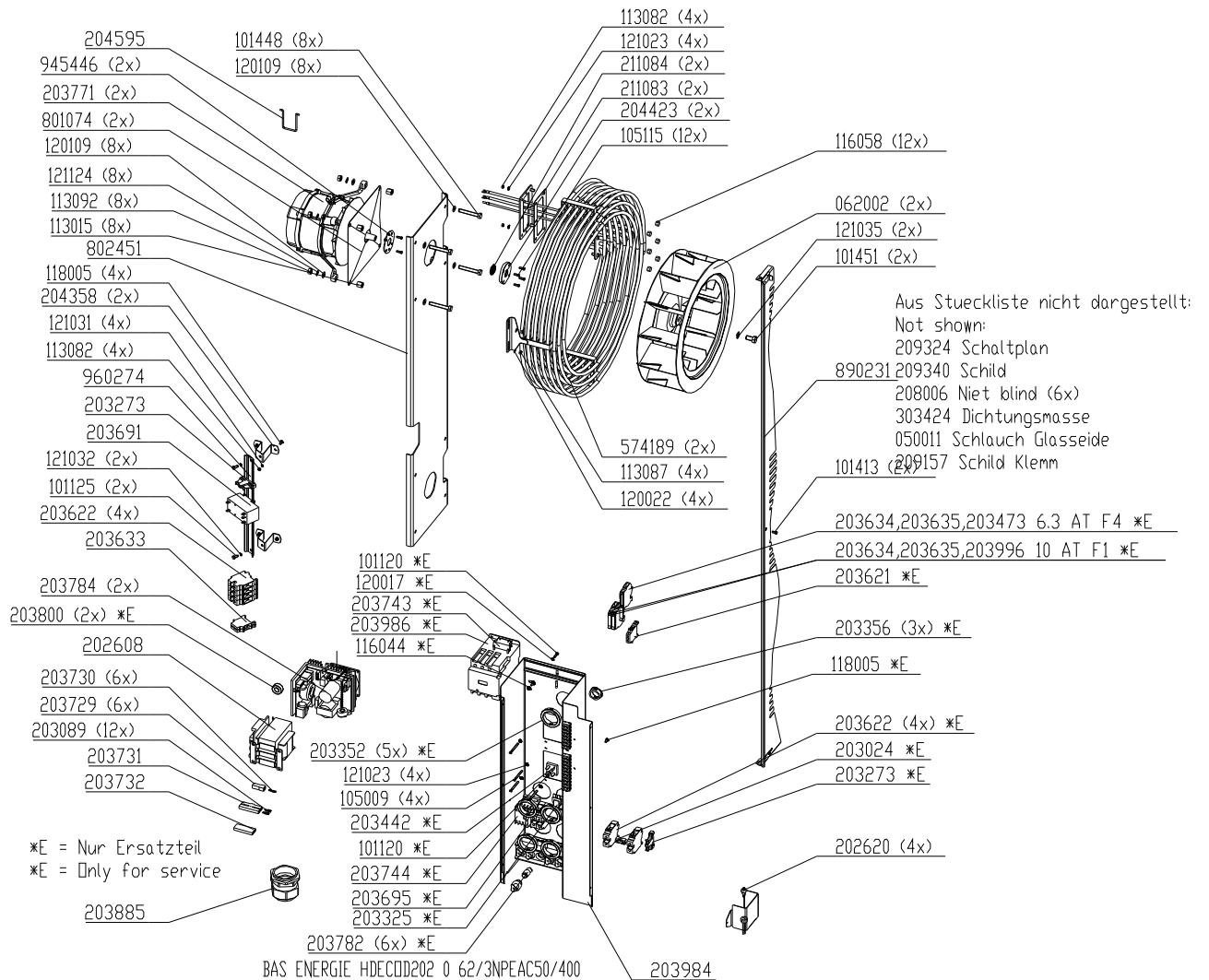
Until S/N 09021471 with serial port #033023 instead of USB port

Electric assembly 3NPEAC 400V HD20.1



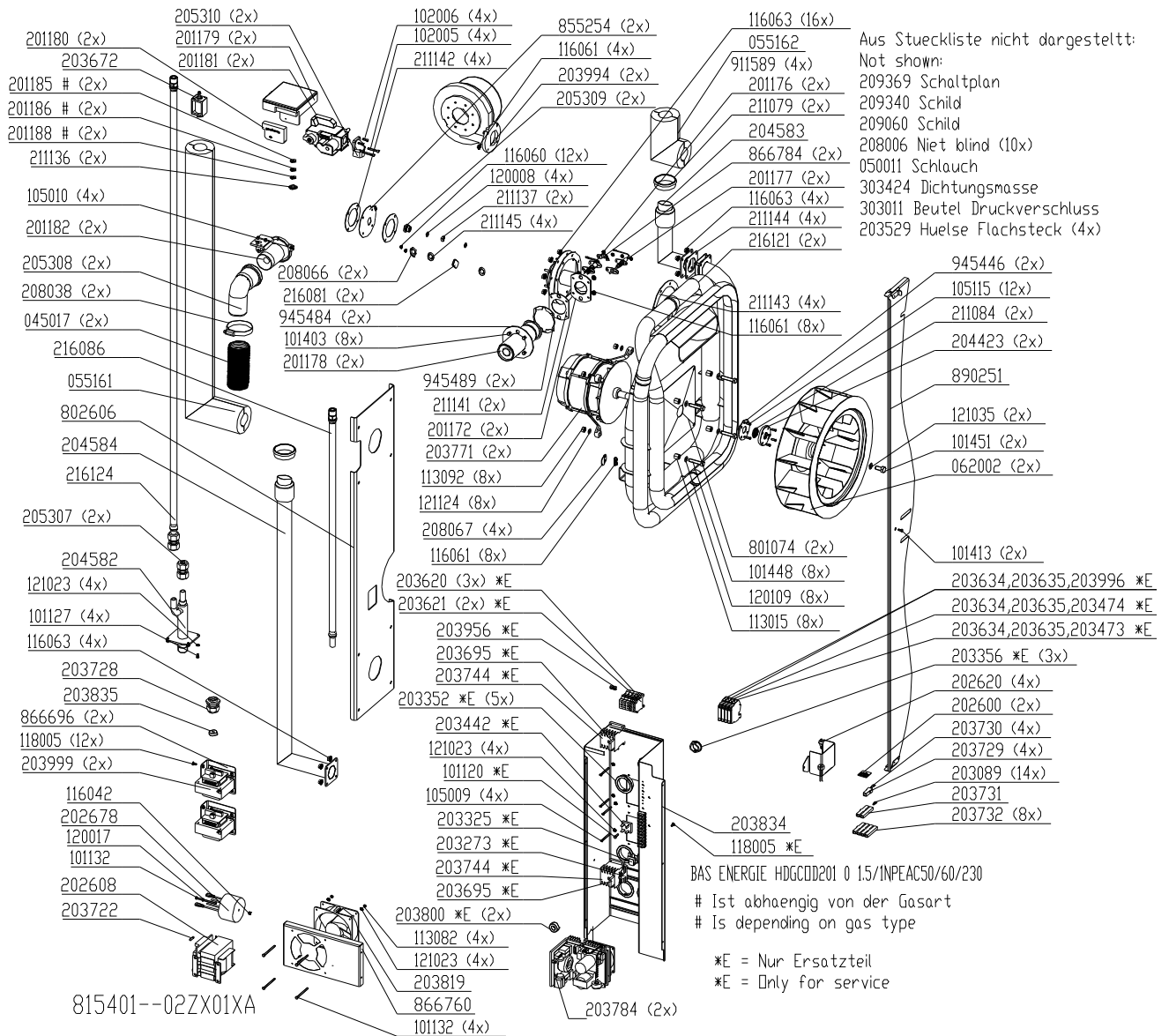
Bis (until) S/N 08022075 (August2008) Transformator (transformer) #203818
Ab (from) S/N 11212250 (October 2011): #945446 → #945661, #204423 → 204681,
#202620 → #203679

Electric assembly 3NPEAC 400V HD20.2



Bis (until) S/N 08022075 (August2008) Transformator (transformer) #203818
Ab (from) S/N 11212250 (October 2011): #945446 → #945661, #204423 → 204681,
#202620 → #203679

Gas assembly HD20.1



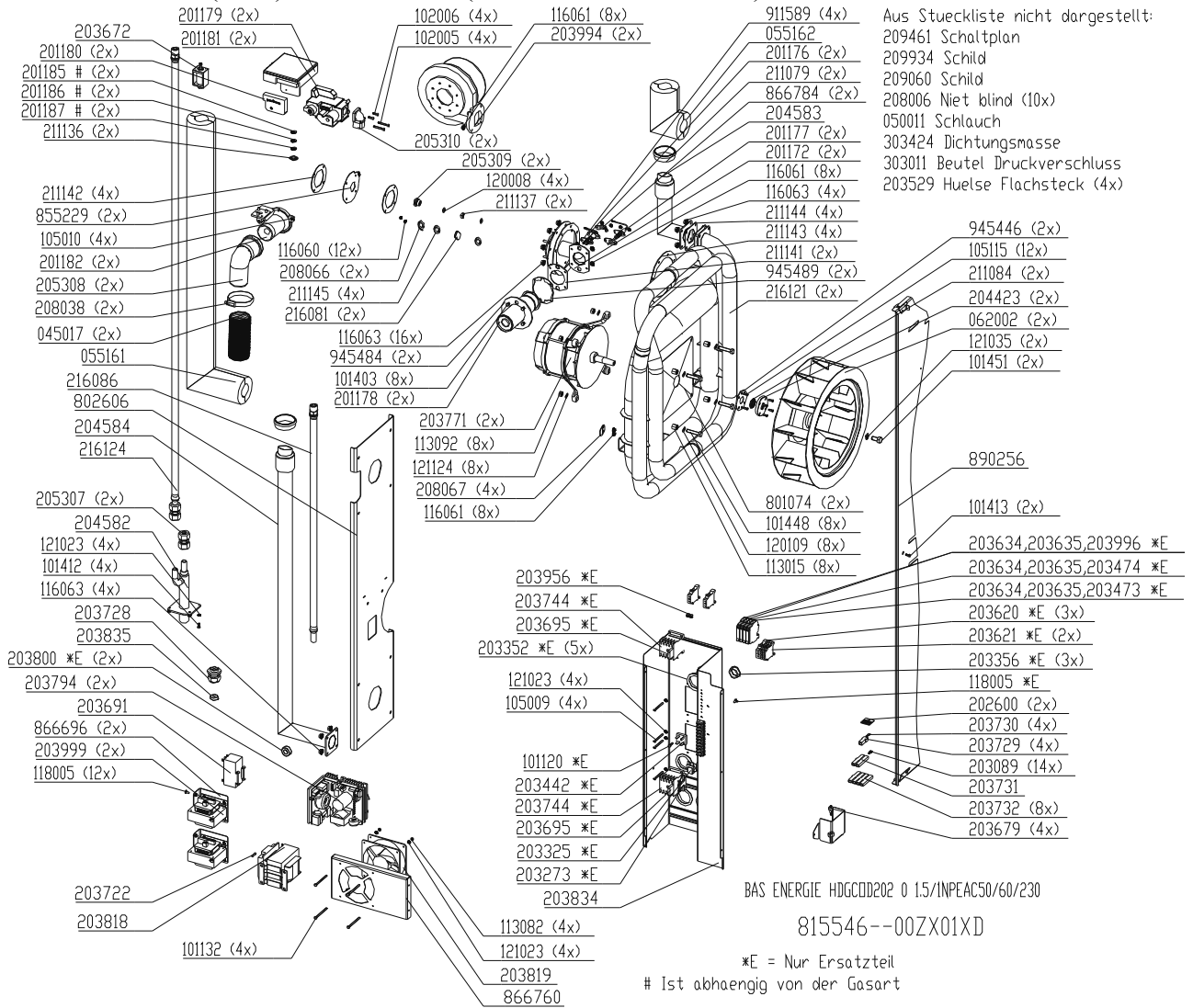
Bis (until) S/N 08022075 (August2008) Transformator (transformer) #203818

Bis (until) S/N 09020157: #216085 ersetzt durch (replaced by) #216121 & # 855254. Es müssen beide Teile ersetzt werden (Both parts must be replaced)!

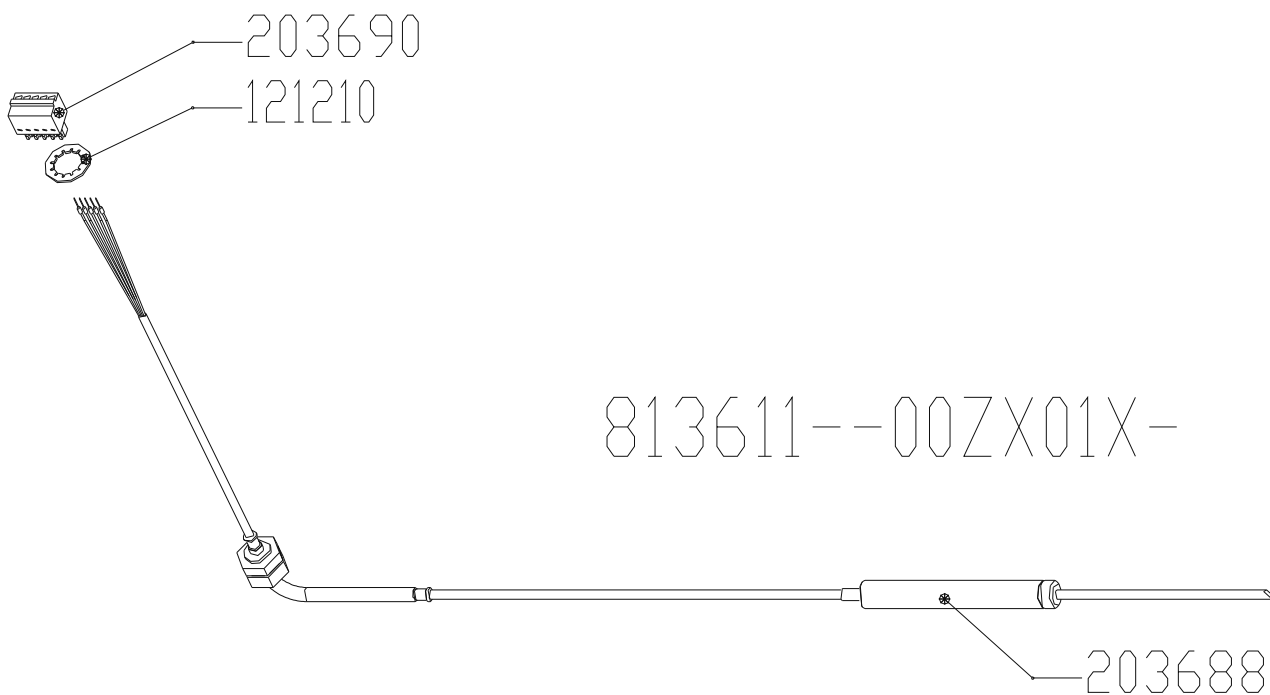
Ab (from)S/N 11212226 (Oktober / October 2011): #202620 → #203679

Gas assembly HD20.2

Bis (until) S/N 08022075 (August2008) Transformator (transformer) #203818
Ab (from) S/N 11212226 (Oktober / October 2011): #202620 → #203679

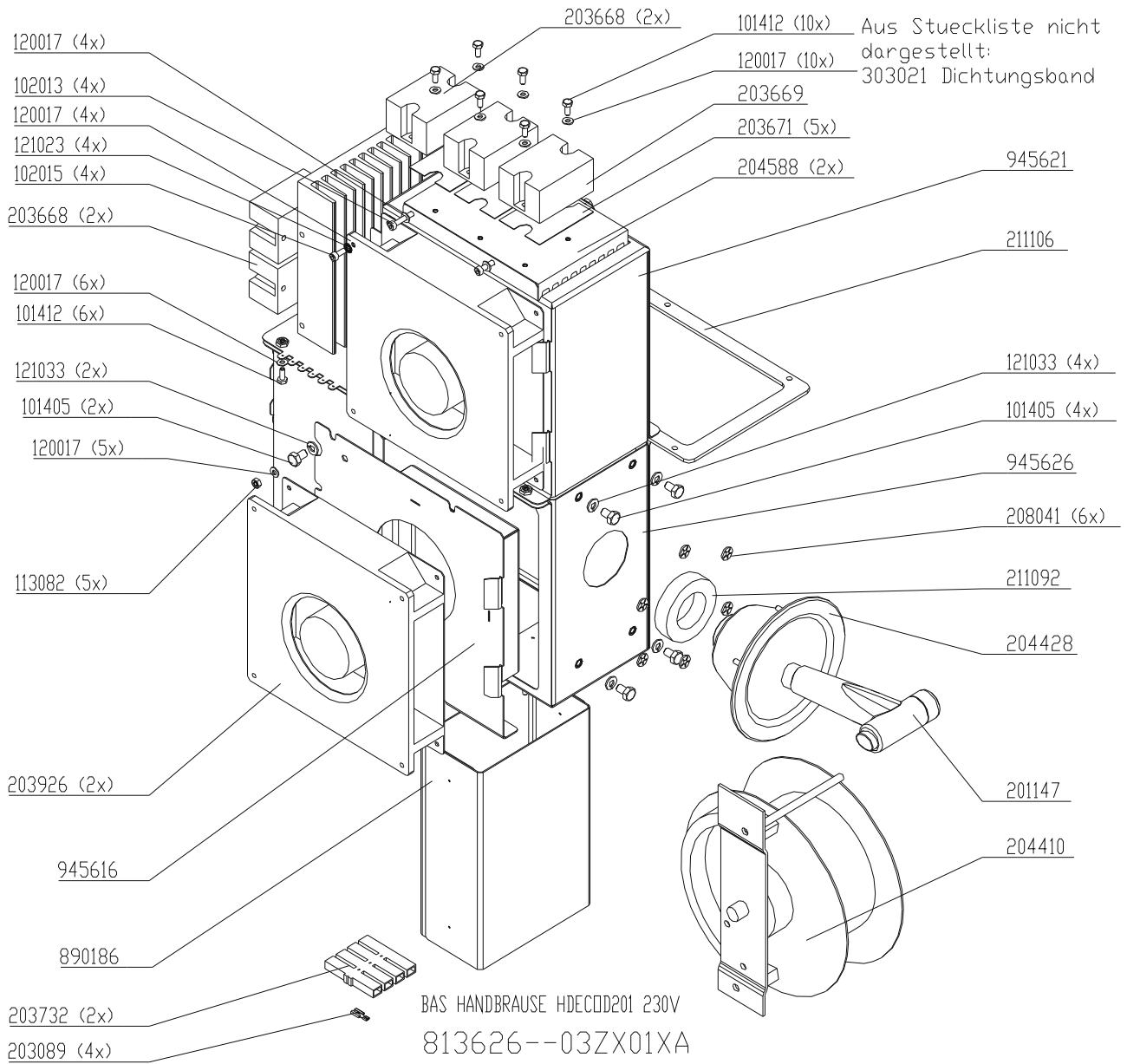


Core temperature probe HD20.x

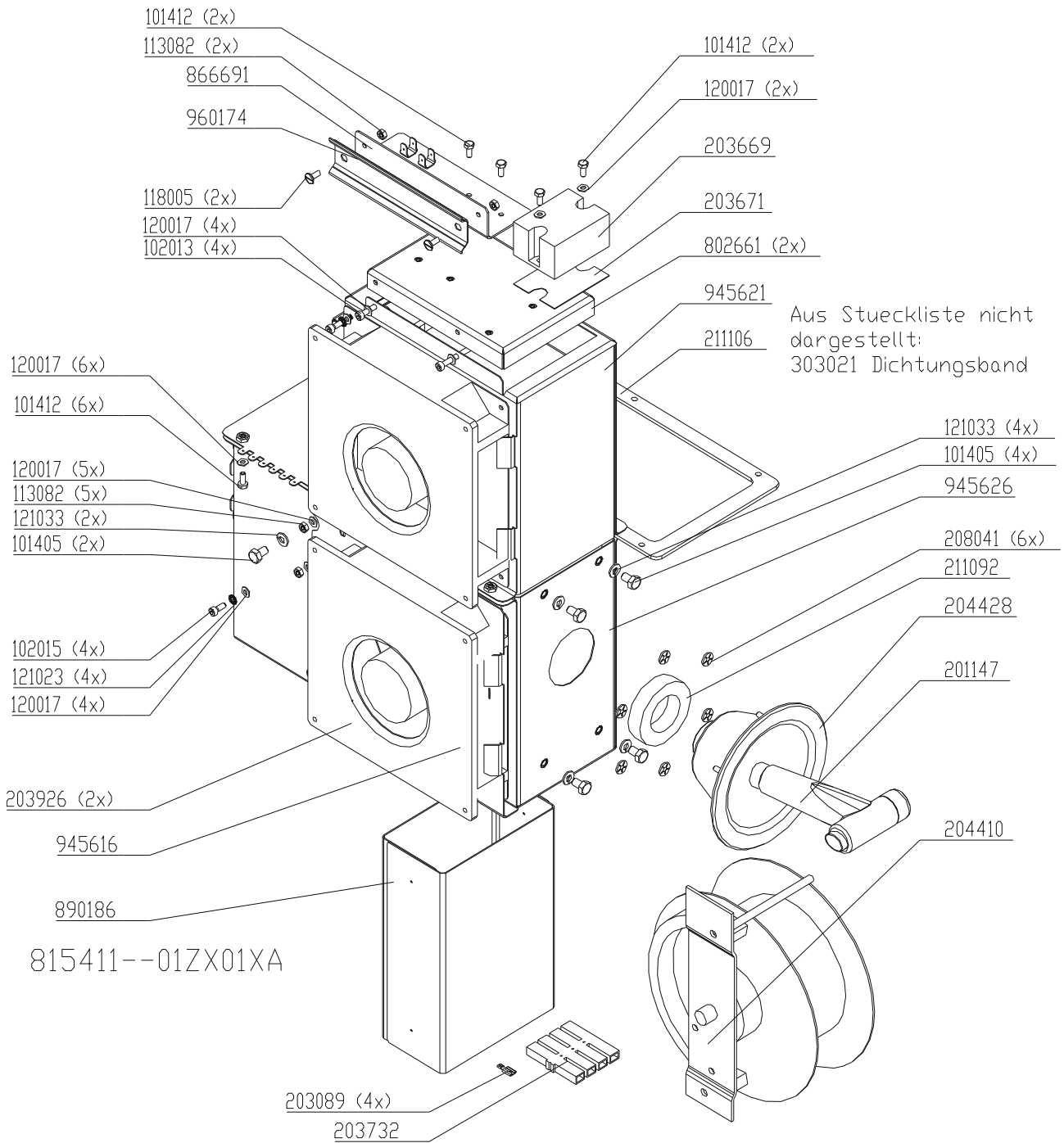


BAS FUEHLER HDECOD201 GOLD

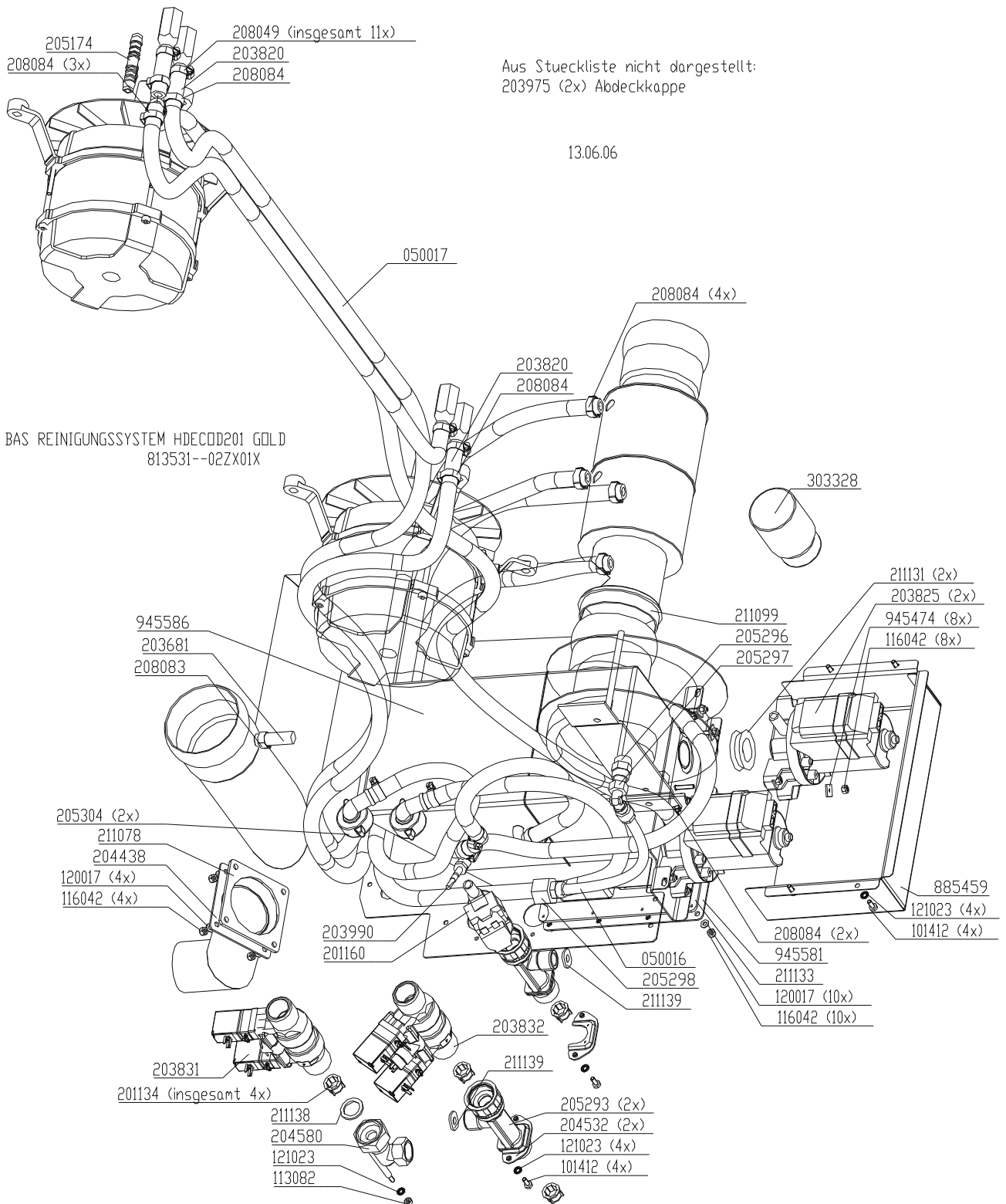
Tube carrier box & handshower HD20.x (Electric)



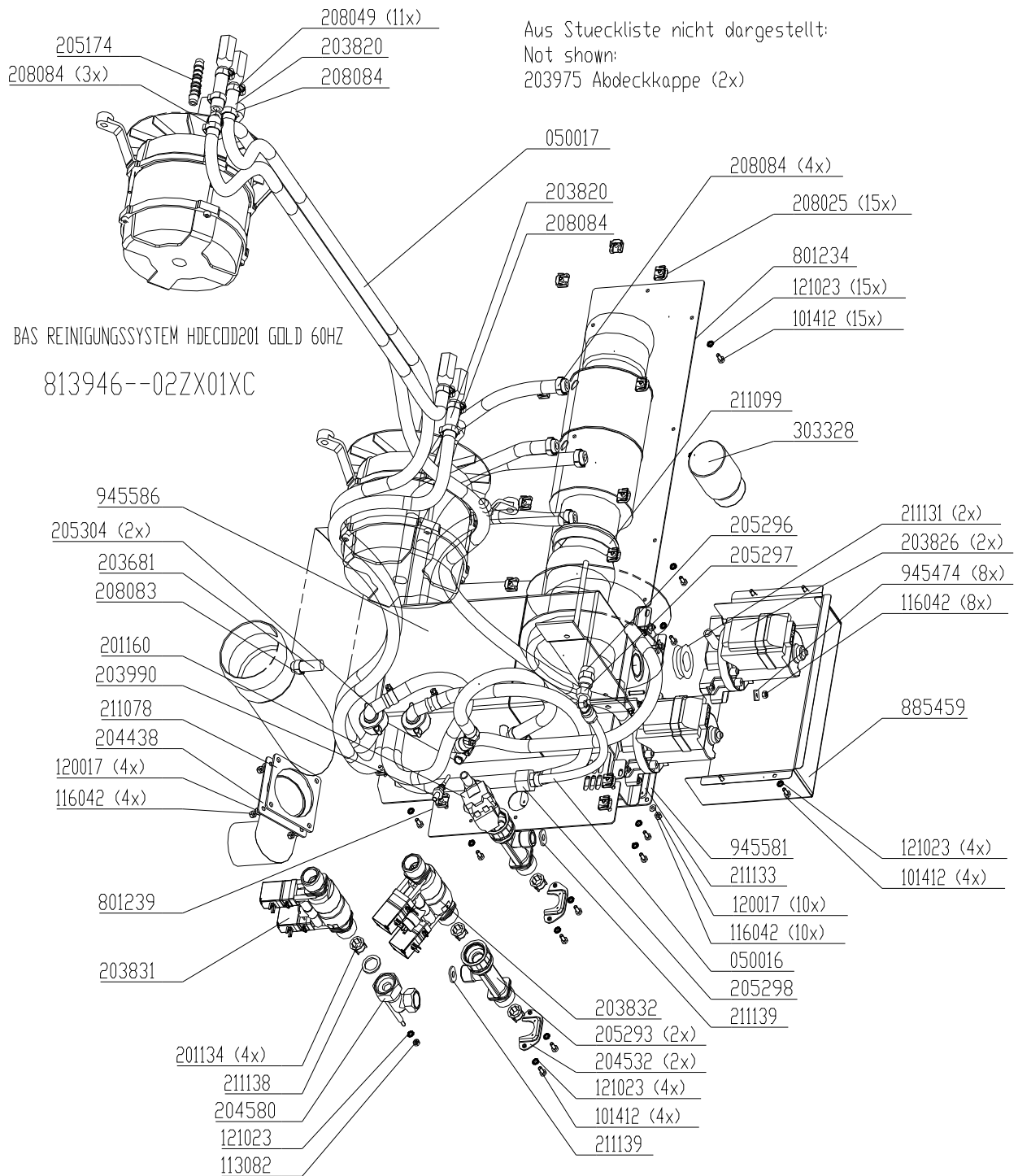
Tube carrier box & handshower HD20.x Gas



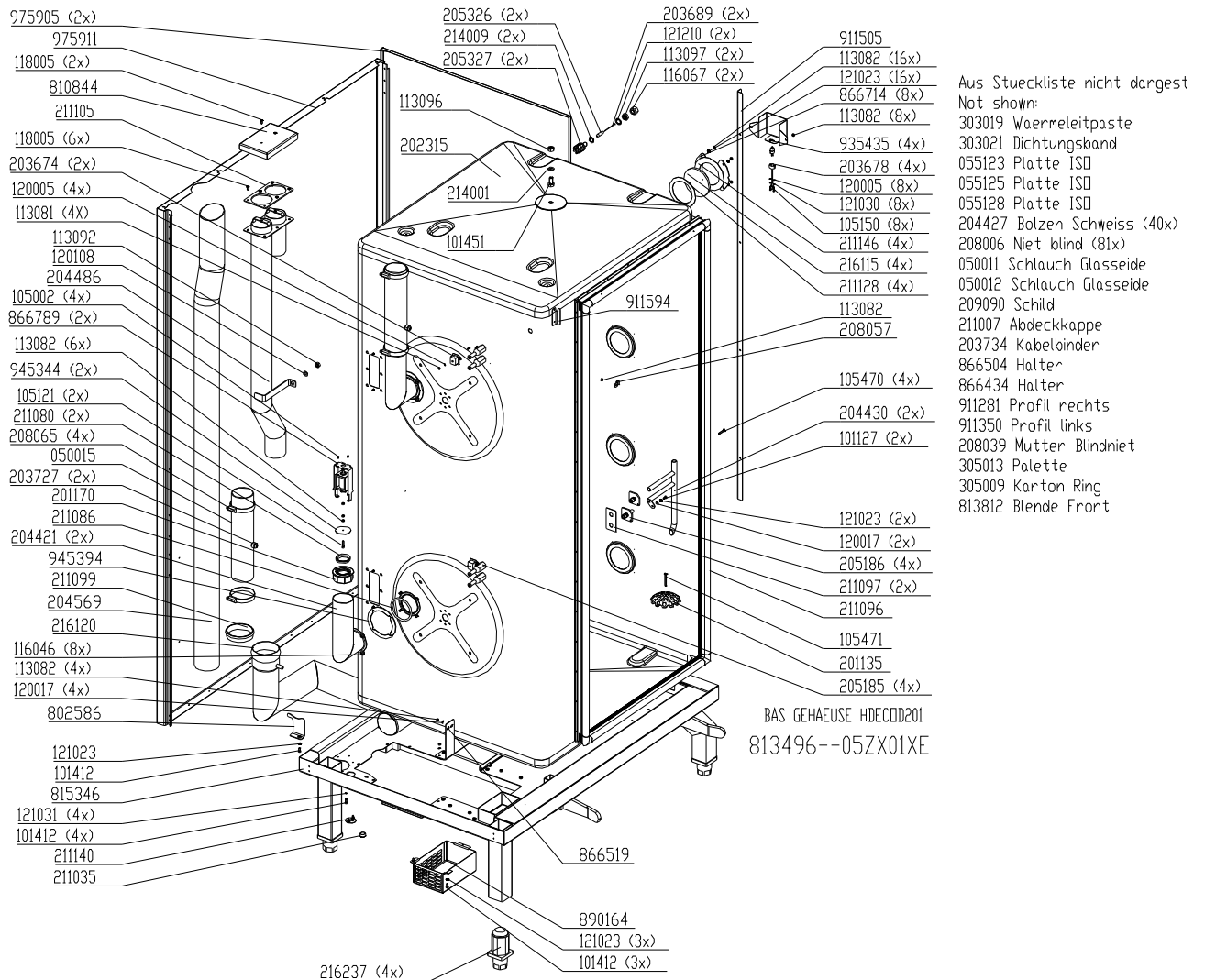
Water assembly 50Hz HD20.x



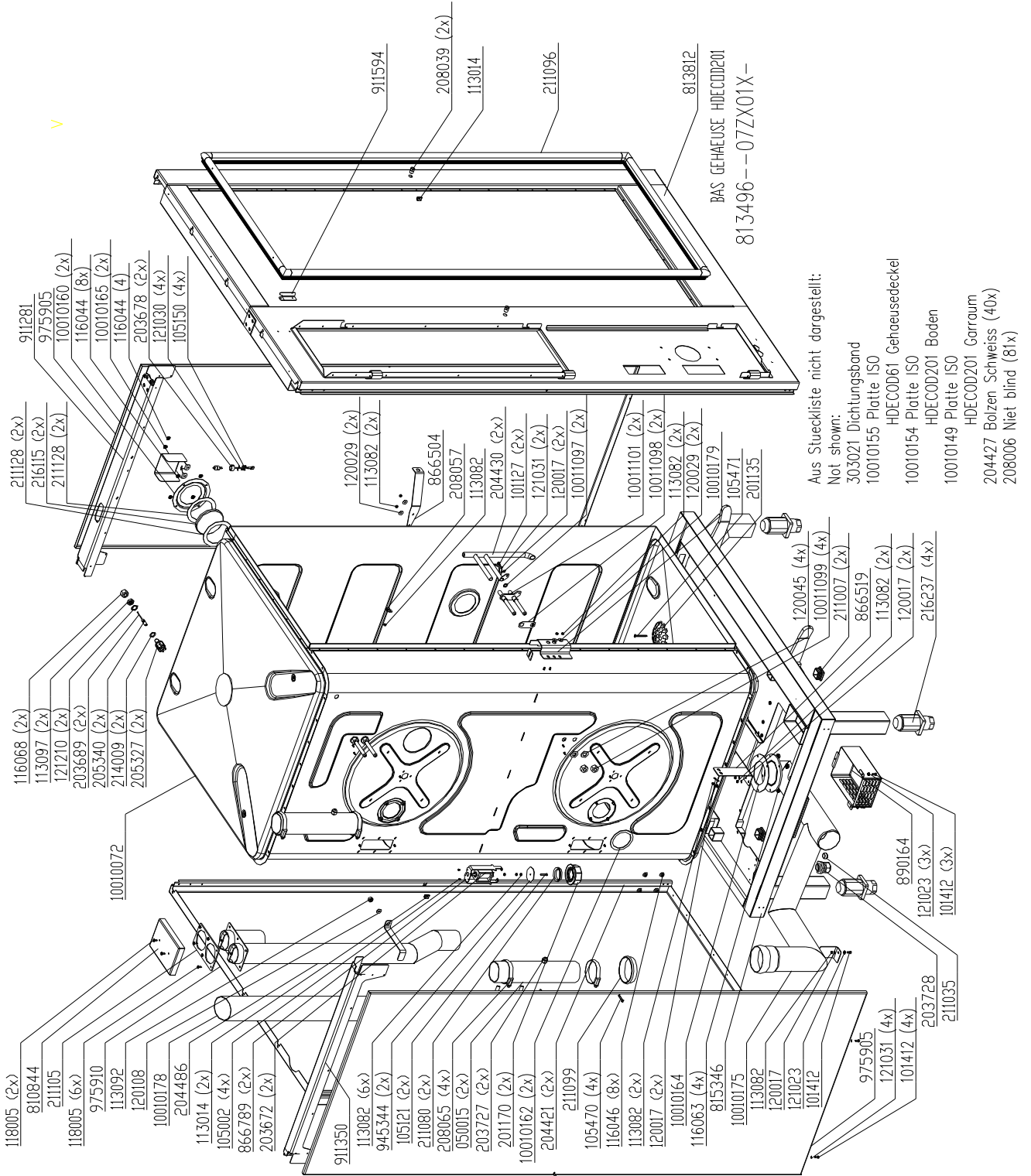
Water assembly 60Hz HD20.x



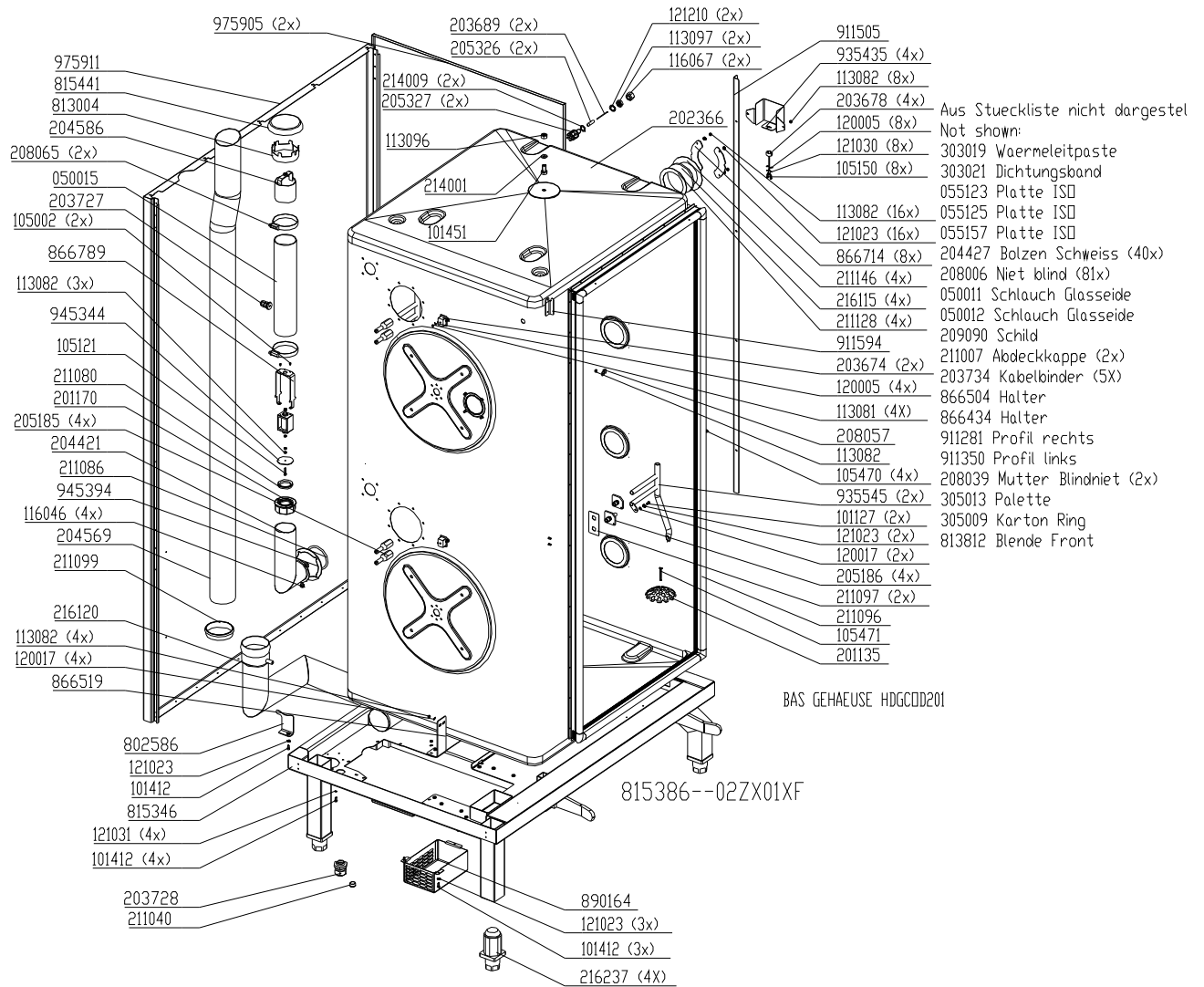
Chassis HD20.x (Electric) Valid until S/N 11212249 (October 2011)



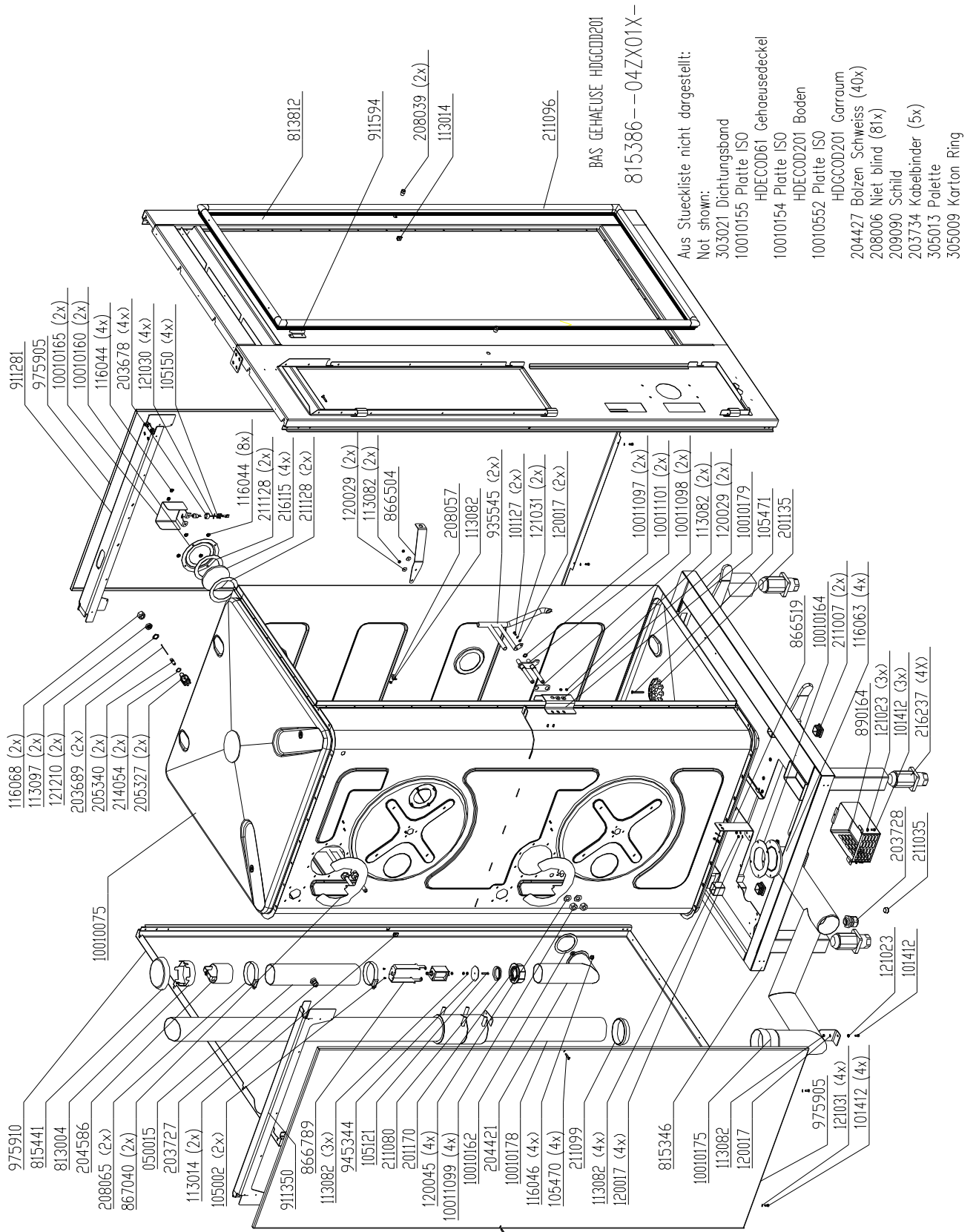
Chassis HD20.x (Electric) Valid from S/N 11212250 (October 2011)



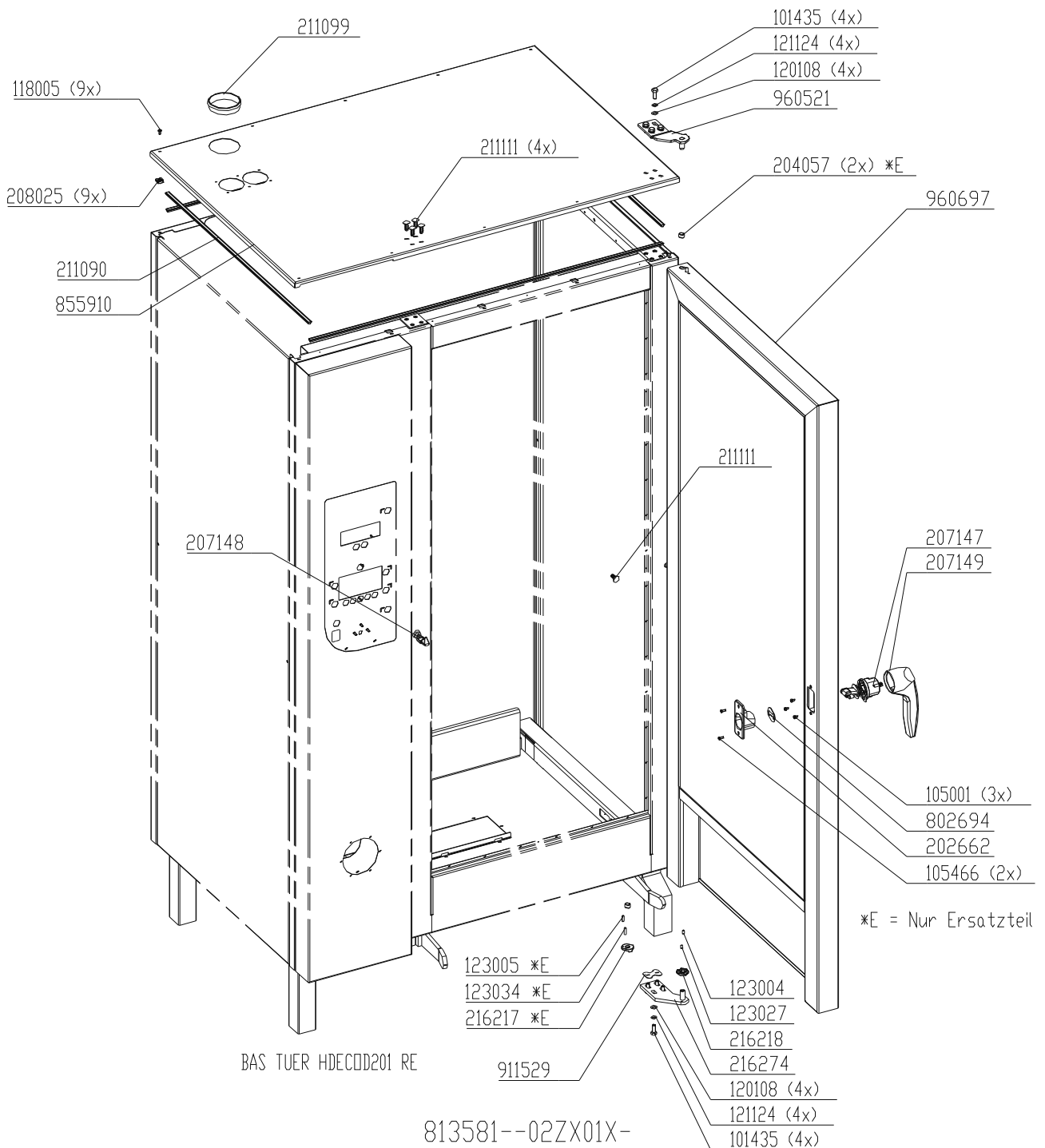
Chassis HD20.x (Gas) Valid until S/N 11212225 (October 2011)



Chassis HD20.x (Gas) Valid from S/N 11212226 (October 2011)

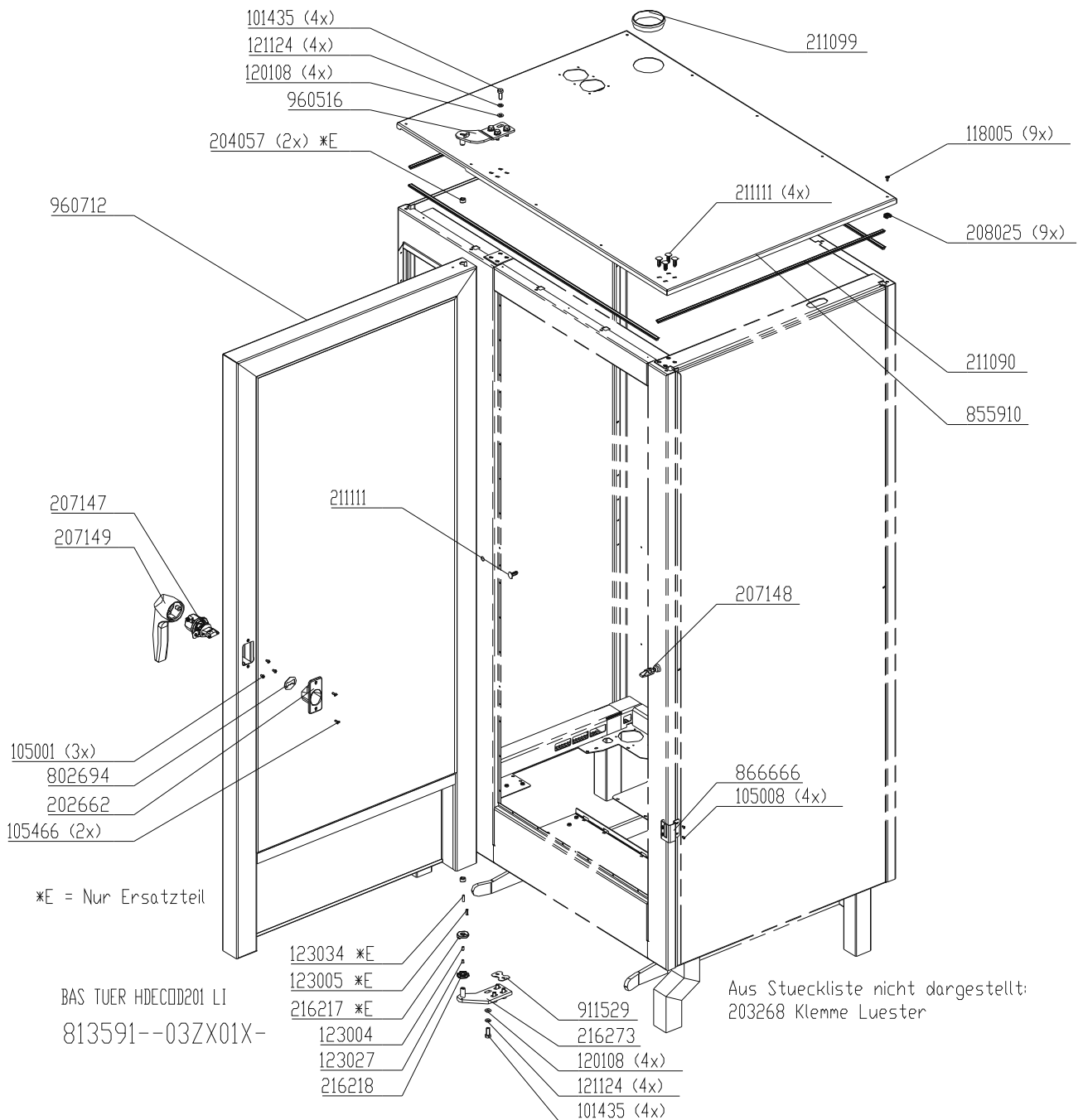


Chassis door area HD20.x, right hand hinged (Electric)



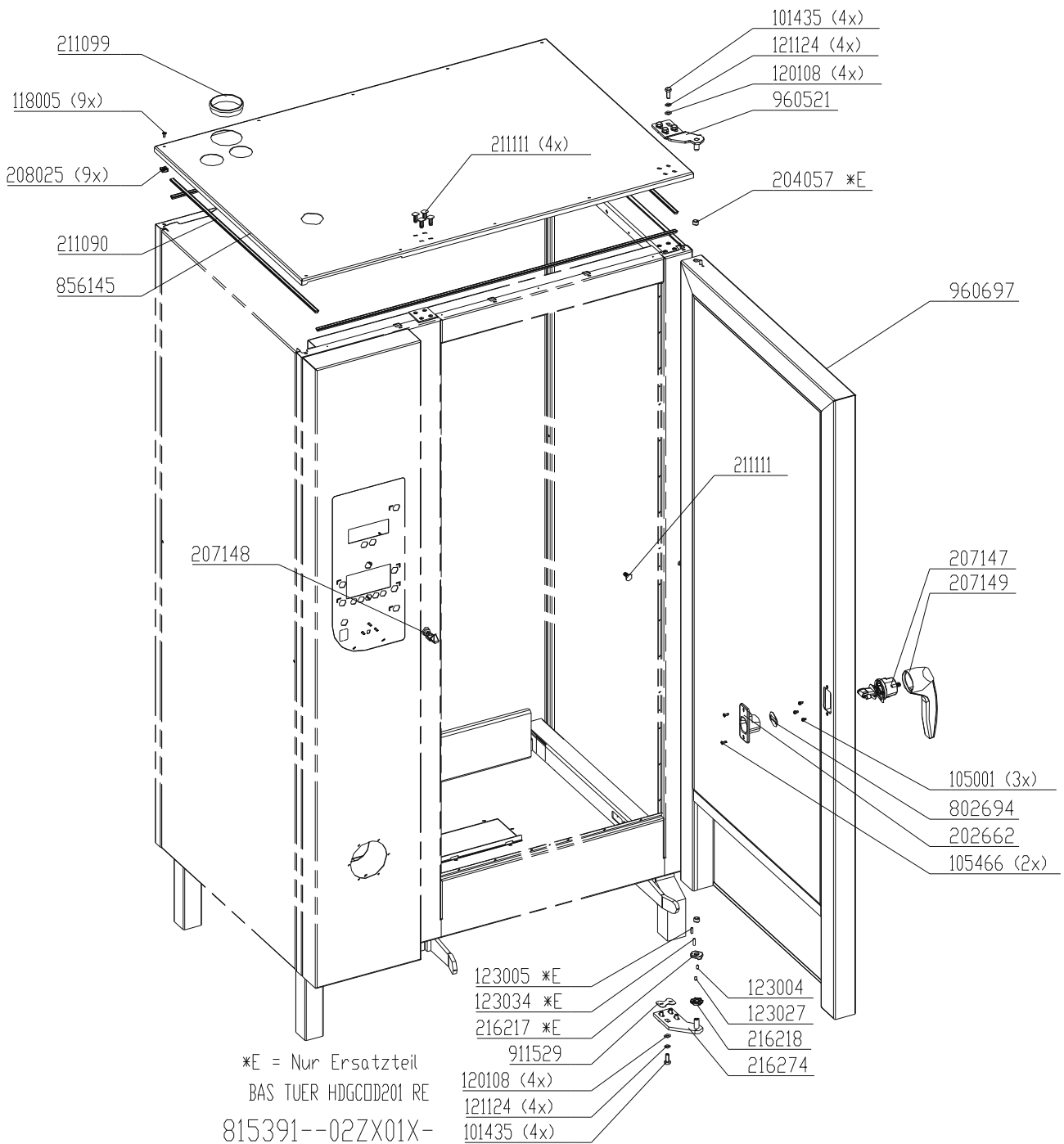
Until S/N 09021515: Profile door gasket #211104 (glued with Pactan)
From S/N 09021516: Pluggable profile door gasket #211171

Chassis door area HD20.x, left hand hinged (Electric)



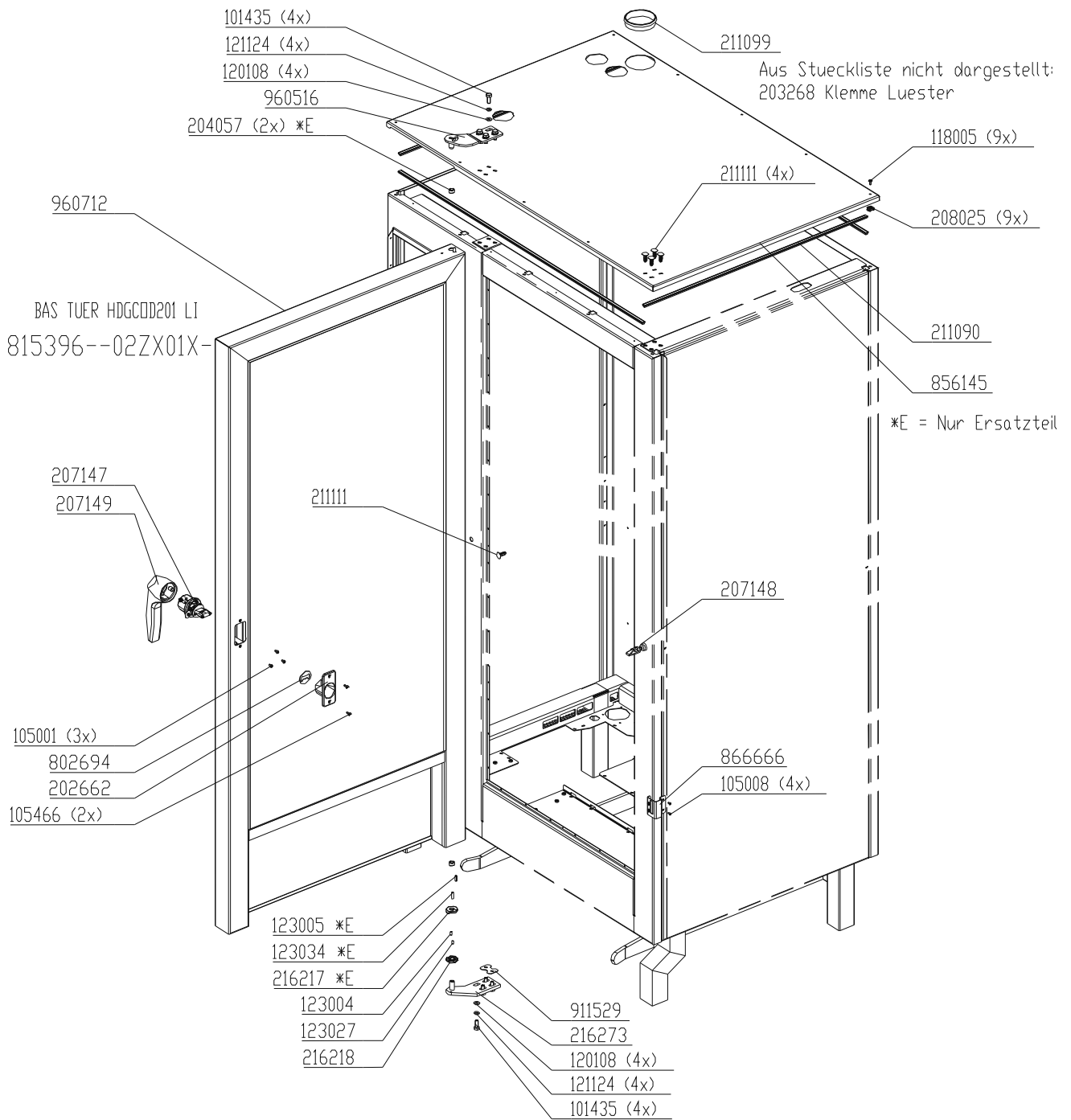
Until S/N 09021515: Profile door gasket #211104 (glued with Pactan)
From S/N 09021516: Pluggable profile door gasket #211171

Chassis door area HD20.x, right hand hinged (Gas)



Until S/N 09021515: Profile door gasket #211104 (glued with Pactan)
From S/N 09021516: Pluggable profile door gasket #211171

Chassis door area HD20.x, left hand hinged (Gas)



Until S/N 09021515: Profile door gasket #211104 (glued with Pactan)
From S/N 09021516: Pluggable profile door gasket #211171



MKN Maschinenfabrik
Kurt Neubauer GmbH & Co
Halberstädter Straße
D-38300 Wolfenbüttel,
Germany
Tel: +49 (0) 53 31/ 89-0
Fax: +49 (0) 53 31/ 89-280